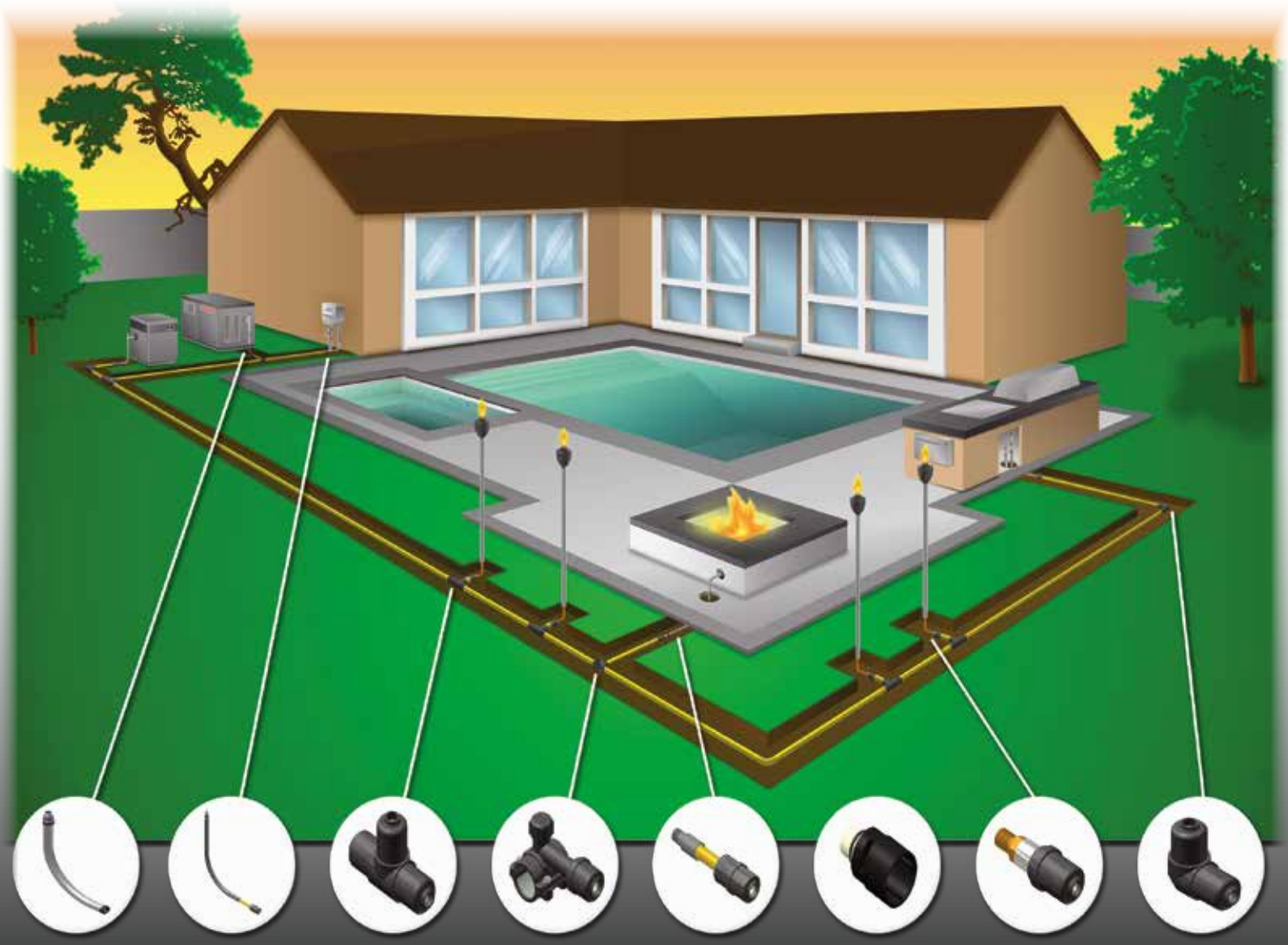




Gas Connectors & Accessories

Continental Industries

PROPANE & PLUMBING CATALOG



Gas Connectors & Accessories



1-800-558-1373 or FAX 1-800-788-1668 • Visit www.conind.com



For more than 50 years, Continental Industries has been and industry leader in the manufacture of connector fittings for the safe and reliable delivery of natural gas, propane and water.

Headquartered in Tulsa, Oklahoma – with manufacturing facilities in both Tulsa and Broken Arrow. We engineer and assemble, with a commitment to providing our customers the highest quality products at the best value.

For gas distribution, Continental supplies a full line of specialty products, offering turnkey solutions for main-to-meter connections. No other single manufacturer can offer the variety of fittings that Continental Industries provides. Whether you need to connect PE to PE, PE to PVC , PE to Steel, PE to Copper or Steel to Steel, chances are Continental has one to do the job. Continental is an ISO 9001 certified company. Our products meet or exceed all ASTM and D.O.T. requirements and make safe, reliable and economical connections.

To our long-standing customers, we thank you for your loyalty and honoring us with your business. If you are new with Continental Industries, we will work tirelessly to exceed your expectations through our expertise, versatility and customer service. Whether you require our Con-Stab ID Seal® fittings, the Eliminator® mechanical saddles, Steel Punch Tees or any of the myriad of products we offer, we encourage you to join the ranks of long-standing satisfied customer relationships we've forged throughout the years.

TABLE OF CONTENTS

Con-Stab ID Seal® Fittings.....	3-8	Anodeless Meter Risers.....	26-27
The Scope® Expandable Joint Repair Couplings.....	9-11	Conflex Risers.....	28-29
Con-Stab ID Seal® Eliminator Saddles	12-15	Riser Brackets	30
Con-Stab ID Seal® PE Valve Tee.....	16-17	Eliminator Saddle Accessories	31
Transition Fittings.....	18-19	Chamfer Tools & Other Accessories.....	32-33
Compression Fittings.....	20-21	Protective Sleeves	34
Eliminator Saddles.....	22-25	Assembly Instructions.....	35



CON-STAB ID SEAL® FITTINGS

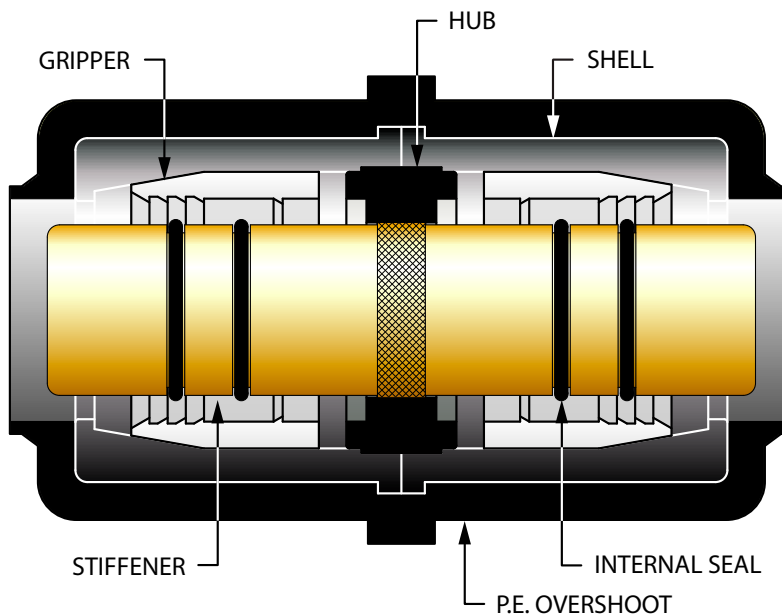
Con-Stab ID Seal® fittings have been sold to the Gas Distribution, Plumbing and Propane markets since 1990. Millions are in service throughout the U.S. Continental's unique ID Seal design enables the seal to be maintained on the smooth inside surface of the polyethylene pipe, regardless of the exterior surface of the piping. This improved seal protection creates the ultimate design for mechanical joints.

The Con-Stab ID Seal® fittings provide the user with the following advantages:

- Cost effective joining method
- Simple assembly
- No additional assembly equipment required for installation (just chamfer pipe and push)
- Expanded product line with various configurations and material options (PE 3408/4710 or PE 2406)
- Uni-body design eliminating all external parts
- Pressure rating that meets or exceeds the maximum design pressure of the piping system
- Meets or exceeds all D.O.T., ASTM and NFPA 58 requirements

Each Con-Stab ID Seal® fitting provides the following unique features:

- Two internal seals
- Fixed stiffener
- Self-locking gripper
- Moisture lip



Continental Industries is an ISO 9001 Certified Company. Continental's Con-Stab ID Seal® product line is manufactured and tested to the following industry standards.

- ASTM D 2513 "Standard Specification for Thermoplastic Gas Pressure Pipe, Tubing and Fittings"
- ASME B31.8-1995 "Gas Transmission and Distribution Piping Systems"
- D.O.T., Title 49 of the Code of Federal Regulations, Part 192.283 (b)
- NFPA 58, LP-Gas Code
- NFPA 54, National Fuel Gas Code
- CSA
- ICC – International Plumbing Code
- IAPMO – Uniform Plumbing Code



CON-STAB ID SEAL® Full Couplings

PE SIZE	WALL	PART NUMBER (3408/4710)
1/2" CTS (5/8" OD)	.090	3259-52-1004-00†‡
3/4" CTS (7/8" OD)	.090	3259-52-1006-00†‡
1" CTS (1 1/8" OD)	.099/.101	3259-52-1008-00†‡
	.090	3259-52-1008-AA†‡
1 1/4" CTS (1 3/8" OD)	.090	3259-52-1039-AA
1/2" IPS	SDR-9.33 (.090)	3259-52-1012-00†‡
3/4" IPS	SDR-11 (.095)	3259-52-1013-00†‡
1" IPS	SDR-11 (.119)	3259-52-1014-00†‡
1 1/4" IPS	SDR-10 (.166)	3259-52-1015-00†‡
	SDR-11 (.151)	3259-52-1015-AA
1 1/2" IPS	SDR-11 (.173)	3259-52-1016-00†‡
2" IPS	SDR-11 (.216)	3259-52-1017-00†‡



- For sizes not listed, contact Continental Industries.
- Pressure rating—Designed to meet or exceed pressure rating of PE pipe per 49 CFR Part 192 and ASTM D2513.
- Recommended accessories; Continental's Bladed Chamfering Tool. See page 32 for size combinations available.
- For Con-Stab ID Seal® Couplings with EFV's, contact Continental Industries.
- † = CSA Approved / ‡ = IAPMO/UPC Listed

CON-STAB ID SEAL® End Cap

PE SIZE	WALL	PART NUMBER (3408/4710)
1/2" CTS (5/8" OD)	.090	3259-53-1004-00†‡
3/4" CTS (7/8" OD)	.090	3259-53-1006-00†‡
1" CTS (1 1/8" OD)	.099/.101	3259-53-1008-00†‡
	.090	3259-53-1008-0A†‡
1 1/4" CTS (1 3/8" OD)	.090	3259-53-1039-0A
1/2" IPS	SDR-9.33 (.090)	3259-53-1012-00†‡
3/4" IPS	SDR-11 (.095)	3259-53-1013-00†‡
1" IPS	SDR-11 (.119)	3259-53-1014-00†‡
1 1/4" IPS	SDR-10 (.166)	3259-53-1015-00†‡
	SDR-11 (.151)	3259-53-1015-0A
1 1/2" IPS	SDR-11 (.173)	3259-53-1016-00†‡
2" IPS	SDR-11 (.216)	3259-53-1017-00†‡



- For sizes not listed, contact Continental Industries.
- Pressure rating—Designed to meet or exceed pressure rating of PE pipe per 49 CFR Part 192 and ASTM D2513.
- Recommended accessories; Continental's Bladed Chamfering Tool. See page 32 for size combinations available.
- † = CSA Approved / ‡ = IAPMO/UPC Listed

CON-STAB ID SEAL® Cap-N-Go Coupling

PE SIZE	WALL	PART NUMBER (3408/4710)
1/2" CTS (5/8" OD)	.090	3259-57-1004-00†‡
1" CTS (1 1/8" OD)	.099/.101	3259-57-1008-00†‡
	.090	3259-57-1008-AA
1/2" IPS	SDR-9.33 (.090)	3259-57-1012-00†‡
3/4" IPS	SDR-11 (.095)	3259-57-1013-00†‡
1" IPS	SDR-11 (.119)	3259-57-1014-00†‡
1 1/4" IPS	SDR-10 (.166)	3259-57-1015-00†‡
	SDR-11 (.151)	3259-57-1015-AA
2" IPS	SDR-11 (.216)	3259-57-1017-00†‡



- For sizes not listed, contact Continental Industries.
- Pressure rating—Designed to meet or exceed pressure rating of PE pipe per 49 CFR Part 192 and ASTM D2513.
- Recommended accessories; Continental's Bladed Chamfering Tool. See page 32 for size combinations available.
- ‡ = IAPMO/UPC Listed



CON-STAB ID SEAL® FITTINGS

CON-STAB ID SEAL® 3 Way Tee

PE SIZE	WALL	PART NUMBER (3408/4710)
1/2" CTS (5/8" OD)	.090	3259-50-1004-00††
3/4" CTS (7/8" OD)	.090	3259-50-1006-00‡
1" CTS (1 1/8" OD)	.099/.101	3259-50-1008-00††
	.090	3259-50-1008-AA‡
1 1/4" CTS (1 3/8" OD)	.090	3259-50-1039-AA
1/2" IPS	SDR-9.33 (.090)	3259-50-1012-00‡
3/4" IPS	SDR-11 (.095)	3259-50-1013-00††
1" IPS	SDR-11 (.119)	3259-50-1014-00††
1 1/4" IPS	SDR-10 (.166)	3369-50-1015-00*†
	SDR-11 (.151)	3259-50-1015-AA
1 1/2" IPS	SDR-11 (.173)	3259-50-1016-00‡
2" IPS	SDR-11 (.216)	3259-50-1017-00††



- For sizes not listed, contact Continental Industries.
- Pressure rating—Designed to meet or exceed pressure rating of PE pipe per 49 CFR Part 192 and ASTM D2513.
- Recommended accessories; Continental's Bladed Chamfering Tool. See page 32 for size combinations available.
- † = CSA Approved / ‡ = IAPMO/UPC Listed
- * = 1 1/4" IPS SDR-10 Fitting is only available in PE 2406/2408 yellow.

CON-STAB ID SEAL® 90° Elbows

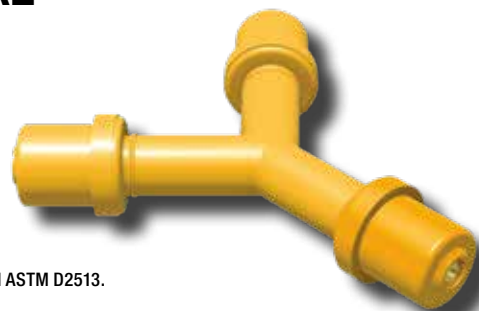
PE SIZE	WALL	PART NUMBER (3408/4710)
1/2" CTS (5/8" OD)	.090	3259-51-1004-00††
3/4" CTS (7/8" OD)	.090	3259-51-1006-00‡
1" CTS (1 1/8" OD)	.099/.101	3259-51-1008-00‡
	.090	3259-51-1008-AA
1 1/4" CTS (1 3/8" OD)	.090	3259-51-1039-AA
1/2" IPS	SDR-9.33 (.090)	3259-51-1012-00‡
3/4" IPS	SDR-11 (.095)	3259-51-1013-00††
1" IPS	SDR-11 (.119)	3259-51-1014-00††
1 1/4" IPS	SDR-10 (.166)	3259-51-1015-00*†
	SDR-11 (.151)	3259-51-1015-AA
1 1/2" IPS	SDR-11 (.173)	3259-51-1016-00‡
2" IPS	SDR-11 (.216)	3259-51-1017-00††



- For sizes not listed, contact Continental Industries.
- Pressure rating—Designed to meet or exceed pressure rating of PE pipe per 49 CFR Part 192 and ASTM D2513.
- Recommended accessories; Continental's Bladed Chamfering Tool. See page 32 for size combinations available.
- † = CSA Approved / ‡ = IAPMO/UPC Listed
- * = 1 1/4" IPS SDR-10 Fitting is only available in PE 2406/2708 yellow.

CON-STAB ID SEAL® 90° Wyes

PE SIZE	WALL	PART NUMBER (2406/2708)
1/2" CTS (5/8" OD)	.090	9969-99-0007-00
3/4" IPS	SDR-11 (.095)	9969-99-0008-00
1" CTS (1 1/8" OD)	.099/.101	9969-99-0009-00



- For sizes not listed, contact Continental Industries.
- Pressure rating—Designed to meet or exceed pressure rating of PE pipe per 49 CFR Part 192 and ASTM D2513.
- Con-Stab ID Seal® wye fittings available only in 2406/2708 PE material.
- Recommended accessories; Continental's Bladed Chamfering Tool. See page 32 for size combinations available.

CON-STAB ID SEAL® FITTINGS



CON-STAB ID SEAL® Reducer Couplings



PE SIZE	WALL	PE SIZE	WALL	PART NUMBER (3408/4710)	
3/4" CTS (7/8" OD)	.090	1/2" CTS (5/8" OD)	.090	3259-54-0604-00	
1" CTS (1 1/8" OD)	.099/.101	3/4" IPS	SDR-11 (.095)	3259-54-0813-00†	
	.090			3259-54-0813-A0‡	
	.099/.101	3/4" CTS (7/8" OD)	.090	3259-54-0806-00	
	.090			3259-54-0806-A0	
	.099/.101	1/2" IPS	SDR-9.33 (.090)	3259-54-0812-00	
	.090			3259-54-0812-A0	
.099/.101	1/2" CTS (5/8" OD)	.090	3259-54-0804-00‡		
.090			3259-54-0804-A0‡		
1 1/4" CTS (1 3/8" OD)	.090	1" IPS	SDR-11	3259-54-3914-A0	
		1" CTS (1 1/8" OD)	.099/.101	3259-54-3908-A0	
			.090	3259-54-3908-AA	
		3/4" IPS	SDR-11 (.095)	3259-54-3913-AA	
		3/4" CTS (7/8" OD)	.090	3259-54-3906-A0	
1/2" IPS	SDR-9.33 (.090)	3259-54-3912-A0			
1/2" IPS	SDR-9.33 (.090)	1/2" CTS (5/8" OD)	.090	3259-54-1204-00	
3/4" IPS	SDR-11 (.095)	1/2" IPS	SDR-9.33 (.090)	3259-54-1312-00‡	
		3/4" CTS (7/8" OD)	.090	3259-54-1306-00	
		1/2" CTS (5/8" OD)	.090	3259-54-1304-00‡†	
1" IPS	SDR-11 (.119)	1" CTS (1 1/8" OD)	.099/.101	3259-54-1408-00‡	
			.090	3259-54-1408-0A	
		3/4" IPS	SDR-11 (.095)	3259-54-1413-00‡†	
		3/4" CTS (7/8" OD)	.090	3259-54-1406-00	
		1/2" IPS	SDR-9.33 (.090)	3259-54-1412-00	
1/2" CTS	.090	3259-54-1404-00‡†			
1 1/4" IPS	SDR-10 (.166)	1 1/4" IPS	SDR-11 (.151)	3259-54-1515-AA	
		SDR-11 (.151)	.090	3259-54-1539-AA	
	SDR-10 (.166)	1" IPS	SDR-11 (.119)	3259-54-1514-00‡	
	SDR-11 (.151)			3259-54-1514-A0	
	SDR-10 (.166)	1" CTS (1 1/8" OD)	.099/.101	3259-54-1508-00‡	
				.090	3259-54-1508-0A
	SDR-11 (.151)			.099/.101	3259-54-1508-A0
		.090	3259-54-1508-AA		
SDR-10 (.166)	3/4" IPS	SDR-11 (.095)	3259-54-1513-00‡		
SDR-11 (.151)			3259-54-1513-A0		
1 1/2" IPS	SDR-11 (.173)	1 1/4" IPS	SDR-10 (.166)	3369-54-1615-00‡*	
			SDR-11 (.151)	3259-54-1615-0A	
2" IPS	SDR-11	1 1/2" IPS	SDR-11 (.173)	3259-54-1716-00‡	
		1 1/4" IPS	SDR-10 (.166)	3369-54-1715-00*	
		1 1/4" CTS (1 3/8" OD)	SDR-11 (.151)	3259-54-1715-0A	
		1" IPS	.090	3259-54-1739-0A	
		1" CTS (1 1/8" OD)	SDR-11 (.119)	3259-54-1714-00	
	.099/.101	3259-54-1708-00			
	.090	3259-54-1708-0A			

- For sizes not listed, contact Continental Industries.
- Pressure rating—Designed to meet or exceed pressure rating of PE pipe per 49 CFR Part 192 and ASTM D2513.
- Recommended accessories; Continental's Bladed Chamfering Tool. See page 32 for size combinations available.
- † = CSA Approved / ‡ = IAPMO/UPC Listed
- * = These fittings are only available in PE 2406/2708 yellow.

CON-STAB ID SEAL® P.E. x Copper Transition Couplings



PE SIZE	WALL	COPPER SIZE	PART NUMBER (3408/4710)
1/2" CTS (5/8" OD)	.090	1/4" OD	9943-99-0062-00‡
		3/8" OD	9943-99-0063-00‡
		1/2" OD	9943-99-0064-00‡
		5/8" OD	9943-99-0065-00‡
3/4" IPS	SDR-11 (.095)	5/8" OD	9943-99-0066-00‡

- For sizes not listed, contact Continental Industries.
- Pressure rating—Designed to meet or exceed pressure rating of PE pipe per 49 CFR Part 192 and ASTM D2513.
- Recommended accessories; Continental's Bladed Chamfering Tool. See page 32 for size combinations available.
- 45° Copper Flare made in accordance with SAE J513.
- Forged Flare nut made to ASTM B 283.
- ‡ = IAPMO/UPC Listed



CON-STAB ID SEAL® FITTINGS

CON-STAB ID SEAL® 3-Way Reducing Tees



PE SIZE (Run)	WALL	PE SIZE (Branch)	WALL	PART NUMBER (3408/4710)	PART NUMBER (2406/2708)
1/2" CTS (5/8" OD)	.090	1" CTS (1 1/8" OD)	.099/.101	3259-49-0408-00	3369-49-0408-00
		1" CTS (1 1/8" OD)	.090	3259-49-0408-0A	3369-49-0408-0A
		3/4" IPS	SDR-11 (.095)	3259-49-0413-00	3369-49-0413-00
3/4" CTS (7/8" OD)	.090	1/2" CTS (5/8" OD)	.090	3259-49-0604-00	3369-49-0604-00
1" CTS (1 1/8" OD)	.099/.101	3/4" CTS (7/8" OD)	.090	3259-49-0806-00	3369-49-0806-00
	.090			3259-49-0806-A0	3369-49-0806-A0
	.099/.101	1/2" CTS (5/8" OD)	.090	3259-49-0804-00 ‡	3369-49-0804-00
	.090			3259-49-0804-A0	3369-49-0804-A0
1 1/4" CTS (1 3/8" OD)	.090	1/2" CTS (5/8" OD)	.090	3259-49-3904-A0	3369-49-3904-A0
1/2" IPS	SDR-9.33 (.090)	1/2" CTS (5/8" OD)	.090	3259-49-1204-00	3369-49-1204-00
3/4" IPS	SDR-11 (.095)	1/2" CTS (5/8" OD)	.090	3259-49-1304-00 ‡	3369-49-1304-00
1" IPS	SDR-11 (.119)	1" CTS (1 1/8" OD)	.099/.101	3259-49-1408-00	3369-49-1408-00
			.090	3259-49-1408-0A	3369-49-1408-0A
		3/4" IPS	SDR-11 (.095)	3259-49-1413-00 ‡	3369-49-1413-00
		3/4" CTS (7/8" OD)	.090	3259-49-1406-00	3369-49-1406-00
		1/2" IPS	SDR-9.33 (.090)	3259-49-1412-00	3369-49-1412-00
		1/2" CTS	.090	3259-49-1404-00 ‡	3369-49-1404-00
1 1/4" IPS	SDR-10 (.166)	1" CTS (1 1/8" OD)	.099/.101	NOT AVAILABLE	3369-49-1508-00
			.090	NOT AVAILABLE	3369-49-1508-0A
	SDR-11 (.151)	3/4" IPS	.099/.101	3259-49-1508-A0	NOT AVAILABLE
			.090	3259-49-1508-AA	NOT AVAILABLE
	SDR-10 (.166)	1/2" CTS (5/8" OD)	.090	NOT AVAILABLE	3369-49-1513-00
				SDR-11 (.151)	3259-49-1513-A0
SDR-10 (.166)	SDR-11 (.151)	1/2" CTS (5/8" OD)	.090	NOT AVAILABLE	3369-49-1504-00
				3259-49-1504-A0	NOT AVAILABLE
1 1/2" IPS	SDR-11 (.173)	1 1/4" IPS	SDR-10 (.166)	Not Available	3369-49-1615-00
			SDR-11 (.151)	3259-49-1615-0A	Not Available
2" IPS	SDR-11	1 1/2" IPS	SDR-11 (.173)	3259-49-1716-00 ‡	3369-49-1716-00
			SDR-10 (.166)	Not Available	3369-49-1715-00
		1 1/4" IPS	SDR-11 (.151)	3259-49-1715-0A	Not Available
			SDR-11 (.119)	3259-49-1714-00	3369-49-1714-00
		1" CTS (1 1/8" OD)	.099/.101	3259-49-1708-00 ‡	3369-49-1708-00
.090	3259-49-1708-0A	3369-49-1708-0A			

- For sizes not listed, contact Continental Industries.
- Pressure rating—Designed to meet or exceed pressure rating of PE pipe per 49 CFR Part 192 and ASTM D2513.
- Recommended accessories; Continental's Bladed Chamfering Tool. See page 32 for size combinations available.
- ‡ = IAPMO/UPC Listed



CON-STAB ID SEAL® Repair Couplings



PE SIZE	WALL	LENGTH	PART NUMBER (3408/4710)	PART NUMBER (2406/2708)
1/2" CTS (5/8" OD)	.090	8"	0459-56-0800-00	0469-56-0800-00
		12"	0459-56-1200-00‡	0469-56-1200-00‡
		24"	0459-56-2400-00	0469-56-2400-00
3/4" CTS (7/8" OD)	.090	8"	0659-56-0800-00	0669-56-0800-00
		12"	0659-56-1200-00	0669-56-1200-00
		24"	0659-56-2400-00	0669-56-2400-00
1" CTS (1 1/8" OD)	.099/.101	8"	0859-56-0800-00	0869-56-0800-00
		12"	0859-56-1200-00‡	0869-56-1200-00‡
		24"	0859-56-2400-00	0869-56-2400-00
	.090	8"	0859-56-0800-AA	0869-56-0800-AA
		12"	0859-56-1200-AA‡	0869-56-1200-AA‡
		24"	0859-56-2400-AA	0869-56-2400-AA
1 1/4" CTS (1 3/8" OD)	.090	8"	3959-56-0800-AA	3969-56-0800-AA
		12"	3959-56-1200-AA	3969-56-1200-AA
		24"	3959-56-2400-AA	3969-56-2400-AA
1/2" IPS	SDR-9.33 (.090)	8"	1259-56-0800-00	1269-56-0800-00
		12"	1259-56-1200-00	1269-56-1200-00
		24"	1259-56-2400-00	1269-56-2400-00
3/4" IPS	SDR-11 (.095)	8"	1359-56-0800-00	1369-56-0800-00
		12"	1359-56-1200-00‡	1369-56-1200-00‡
		24"	1359-56-2400-00	1369-56-2400-00
1" IPS	SDR-11 (.119)	8"	1459-56-0800-00	1469-56-0800-00
		12"	1459-56-1200-00‡	1469-56-1200-00‡
		24"	1459-56-2400-00	1469-56-2400-00

- For sizes not listed, contact Continental Industries.
- Pressure rating—Designed to meet or exceed pressure rating of PE pipe per 49 CFR Part 192 and ASTM D2513.
- Recommended accessories; Continental's Bladed Chamfering Tool. See page 32 for size combinations available.
- For 1 1/4" IPS and 2" IPS Repair Couplings, see Scope® Repair Couplings on pg 10.
- ‡ = IAPMO/UPC Listed



SCOPE® REPAIR FITTINGS

THE SCOPE® Expandable Repair Joint

Call it a pipe stretcher if you'd like. We call it The Scope®—the new, safe solution for quicker and easier repairs and main extensions, exclusively from Continental!



The innovative design of The Scope® compresses to fit a removed section of piping. Just put it in place and extend it for the final connection—with the versatility of Con-Stab I.D. Seal® fittings, or butt fused joints.

Think of it! You can now enjoy great savings in time, labor and



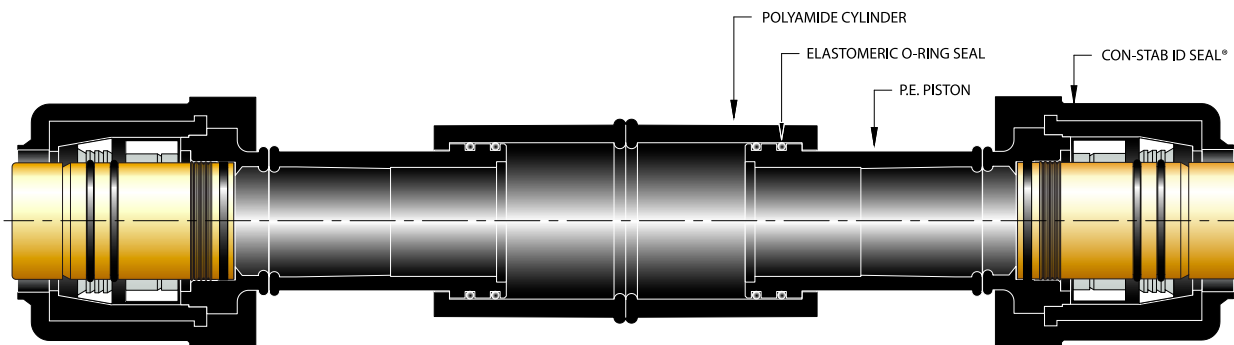
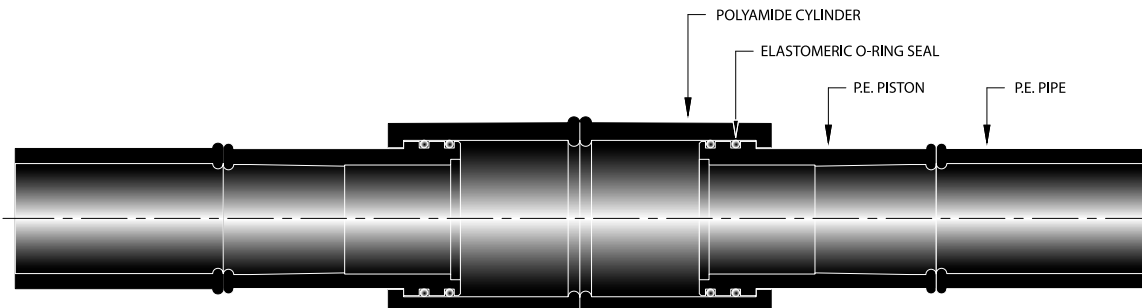
money with each repair, while delivering a greater margin of safety for installers and long-term reliable service!

Plus, The Scope® features even more: Telescoping action affords

a larger margin of error on cut outs. You excavate less. And with its durable all-plastic construction, you don't need cathodic protection.

Most of all, The Scope® is safe and reliable. It meets or exceeds ASTM and DOT requirements. It's designed to operate at the MAOP of any PE piping system. And it comes pre-air tested to allow complete compliance and documentation of every repair.

Available in a variety of sizes. Contact Continental today for more information about The Scope®—the closest thing to a pipe stretcher you'll ever find.





THE SCOPE® Expandable Repair Couplings



PE SIZE	WALL	STYLE OUTLET	LENGTH	PART NUMBER (3408/4710)	PART NUMBER (2406/2708)	ACTUAL REPAIR LENGTH
3/4" CTS (7/8" OD)	.090	Con-Stab	14"	3238-14-4406-00	N/A	13 1/2" to 14"
		Con-Stab	26"	3238-26-4406-00	3338-26-4606-00	25 1/2" to 26"
1" CTS (1 1/8" OD)	.099/.101	Con-Stab	14"	3238-14-4408-00	N/A	13 1/2" to 14"
		Con-Stab	26"	3238-26-4408-00	3338-26-4608-00	25 1/2" to 26"
	.090	Con-Stab	14"	3238-14-4408-AA	N/A	13 1/2" to 14"
		Con-Stab	26"	3238-26-4408-AA	3338-26-4608-AA	25 1/2" to 26"
1/2" IPS	SDR-9.3 (.090)	Con-Stab	14"	3238-14-4412-00	N/A	13 1/2" to 14"
		Con-Stab	26"	3238-26-4412-00	3338-26-4612-00	25 1/2" to 26"
3/4" IPS	SDR-11 (.095)	Con-Stab	14"	3238-14-4413-00	N/A	13 1/2" to 14"
		Con-Stab	26"	3238-26-4413-00	3338-26-4613-00	25 1/2" to 26"
1" IPS	SDR-11 (.119)	Con-Stab	14"	3238-14-4414-00	N/A	13 1/2" to 14"
		Con-Stab	26"	3238-26-4414-00	3338-26-4614-00	25 1/2" to 26"
		Con-Stab	14"	3238-14-4415-00 ‡	N/A	13 1/2" to 14"
1 1/4" IPS	SDR-10 (.166)	Con-Stab	26"	N/A	3338-26-4615-00	25 1/2" to 26"
		Con-Stab	38"	N/A	3338-38-4615-00	37 1/2" to 38"
		Con-Stab	50"	N/A	3338-50-4615-00	49 1/2" to 50"
	SDR-11 (.151)	Con-Stab	14"	3238-14-4415-AA	N/A	13 1/2" to 14"
		Con-Stab	26"	3238-26-4415-AA	3338-26-4615-AA	25 1/2" to 26"
		Con-Stab	38"	3238-38-4415-AA	3338-38-4615-AA	37 1/2" to 38"
1 1/2" IPS	SDR-11 (.173)	Con-Stab	50"	3238-50-4415-AA	3338-50-4615-AA	49 1/2" to 50"
		Con-Stab	14"	3238-14-4416-00	N/A	13 1/2" to 14"
		Con-Stab	26"	3238-26-4416-00	3338-26-4616-00	25 1/2" to 26"
		Con-Stab	38"	3238-38-4416-00	3338-38-4616-00	37 1/2" to 38"
2" IPS	SDR-11 (.216)	Con-Stab	50"	3238-50-4416-00	3338-50-4616-00	49 1/2" to 50"
		Con-Stab	14"	3238-14-4417-00 ‡	N/A	13 1/2" to 14"
		Con-Stab	26"	3238-26-4417-00	3338-26-4617-00	25 1/2" to 26"
		Con-Stab	38"	3238-38-4417-00	3338-38-4617-00	37 1/2" to 38"
1 1/4" IPS	SDR-10 (.166)	Fusion	19"	3237-19-4415-00	N/A	16" to 19"
		Fusion	27"	N/A	3337-27-4615-00	16" to 27"
		Fusion	39"	N/A	3337-39-4615-00	16" to 39"
		Fusion	51"	N/A	3337-51-4615-00	16" to 51"
	SDR-11 (.151)	Fusion	19"	3237-19-4415-AA	N/A	16" to 19"
		Fusion	27"	3237-27-4415-AA	3337-27-4615-AA	16" to 27"
		Fusion	39"	3237-39-4415-AA	3337-39-4615-AA	16" to 39"
		Fusion	51"	3237-51-4415-AA	3337-51-4615-AA	16" to 51"
2" IPS	SDR-11 (.216)	Fusion	19"	3237-19-4417-00	N/A	16" to 19"
		Fusion	27"	3237-27-4417-00	3337-27-4617-00	16" to 27"
		Fusion	39"	3237-39-4417-00	3337-39-4617-00	16" to 39"
		Fusion	51"	3237-51-4417-00	3337-51-4617-00	16" to 51"

- For sizes not listed, contact Continental Industries.
- Pressure rating—Designed to meet or exceed pressure rating of PE pipe per 49 CFR Part 192 and ASTM D2513.
- Recommended accessories; Continental's Bladed Chamfering Tool. See page 32 for size combinations available.
- ‡ = IAPMO/UPC Listed



SCOPE® REPAIR FITTINGS

THE SCOPE® Expandable Repair Couplings (PE Stab X PVC)

PE SIZE	WALL	PVC SOCKET	LENGTH	PART NUMBER (3408/4710)	ACTUAL REPAIR LENGTH
1/2" CTS (5/8" OD)	.090	3/8" IPS	14"	0457-55-0711-34	13 1/2" to 14"
		1/2" IPS	14"	0457-55-0712-34	13 1/2" to 14"
		3/4" IPS	14"	0457-55-0713-34	13 1/2" to 14"
1" CTS (1 1/8" OD)	.099/.101	3/8" IPS	14"	0857-55-0711-34	13 1/2" to 14"
		1/2" IPS	14"	0857-55-0712-34	13 1/2" to 14"
		3/4" IPS	14"	0857-55-0713-34	13 1/2" to 14"
		1" IPS	14"	0857-55-0714-34	13 1/2" to 14"
3/4" IPS	SDR-11 (.095)	3/8" IPS	14"	1357-55-0711-34	13 1/2" to 14"
		1/2" IPS	14"	1357-55-0712-34	13 1/2" to 14"
		3/4" IPS	14"	1357-55-0713-34	13 1/2" to 14"
		1" IPS	14"	1357-55-0714-34	13 1/2" to 14"
1" IPS	SDR-11 (.119)	1" IPS	14"	1457-55-0714-34	13 1/2" to 14"
1 1/4" IPS	SDR-10 (.166)	1" IPS	14"	1557-55-0714-34	13 1/2" to 14"
		1 1/4" IPS	14"	1557-55-0715-34	13 1/2" to 14"
	SDR-11 (.151)	1" IPS	14"	9957-55-0003-00	13 1/2" to 14"
		1 1/4" IPS	14"	9957-55-0001-00	13 1/2" to 14"
2" IPS	SDR-11 (.216)	1 1/4" IPS	14"	1757-55-0715-34	13 1/2" to 14"
		1 1/2" IPS	14"	1757-55-0716-34	13 1/2" to 14"
		2" IPS	14"	1757-55-0717-34	13 1/2" to 14"
		2 1/2" IPS	14"	1757-55-0718-34	13 1/2" to 14"
		3" IPS	14"	1757-55-0719-34	13 1/2" to 14"



- For sizes not listed, contact Continental Industries.
- Pressure rating—Designed to meet or exceed pressure rating of PE pipe per 49 CFR Part 192 and ASTM D2513.
- Recommended accessories; Continental's Bladed Chamfering Tool. See page 32 for size combinations available.

THE SCOPE® Expandable Repair Couplings (PE Fusion X PVC)



PE SIZE	WALL	PVC SOCKET	LENGTH	PART NUMBER (3408/4710)	PART NUMBER (2406/2708)	ACTUAL REPAIR LENGTH
1" IPS	SDR-11 (.119)	3/8" IPS	14"	9957-55-0007-00	9957-55-0021-00	13 1/2" to 14"
		1/2" IPS	14"	9957-55-0012-00	9957-55-0022-00	13 1/2" to 14"
		3/4" IPS	14"	9957-55-0008-00	9957-55-0017-00	13 1/2" to 14"
		1" IPS	14"	9957-55-0009-00	9957-55-0013-00	13 1/2" to 14"
1 1/4" IPS	SDR-10 (.166)	3/4" IPS	14"	9957-55-0023-00	9957-55-0019-00	13 1/2" to 14"
		1 1/4" IPS	14"	9957-55-0024-00	9957-55-0014-00	13 1/2" to 14"
	SDR-11 (.151)	1 1/4" IPS	14"	9957-55-0010-00	9957-55-0015-00	13 1/2" to 14"
2" IPS	SDR-11 (.216)	1 1/2" IPS	14"	9957-55-0025-00	9957-55-0020-00	13 1/2" to 14"
		2" IPS	14"	9957-55-0011-00	9957-55-0016-00	13 1/2" to 14"

- For sizes not listed, contact Continental Industries.
- Pressure rating—Designed to meet or exceed pressure rating of PE pipe per 49 CFR Part 192 and ASTM D2513.



CON-STAB ID SEAL® ELIMINATORS

Plastic Saddle Punch Tee For Use On All PVC and PE Mains

The changing challenges of today's gas industry demand a better option for making lateral connections to plastic gas pipe. Your absolute best option is now the Eliminator mechanical saddle.

Faster. No preparation/set-up time for auxiliary tooling. Installation with the Eliminator mechanical saddle takes just one man only seven minutes, compared to fusion saddles that require two men 30 minutes, to complete an installation. Eliminates the cooling time before removing clamps, before the pressure test, or before tapping the main. Only one tool—a "T" wrench—is required. And auxiliary equipment like generators, extension cords, clamps, scrapers, or special holding fixtures are NOT required.

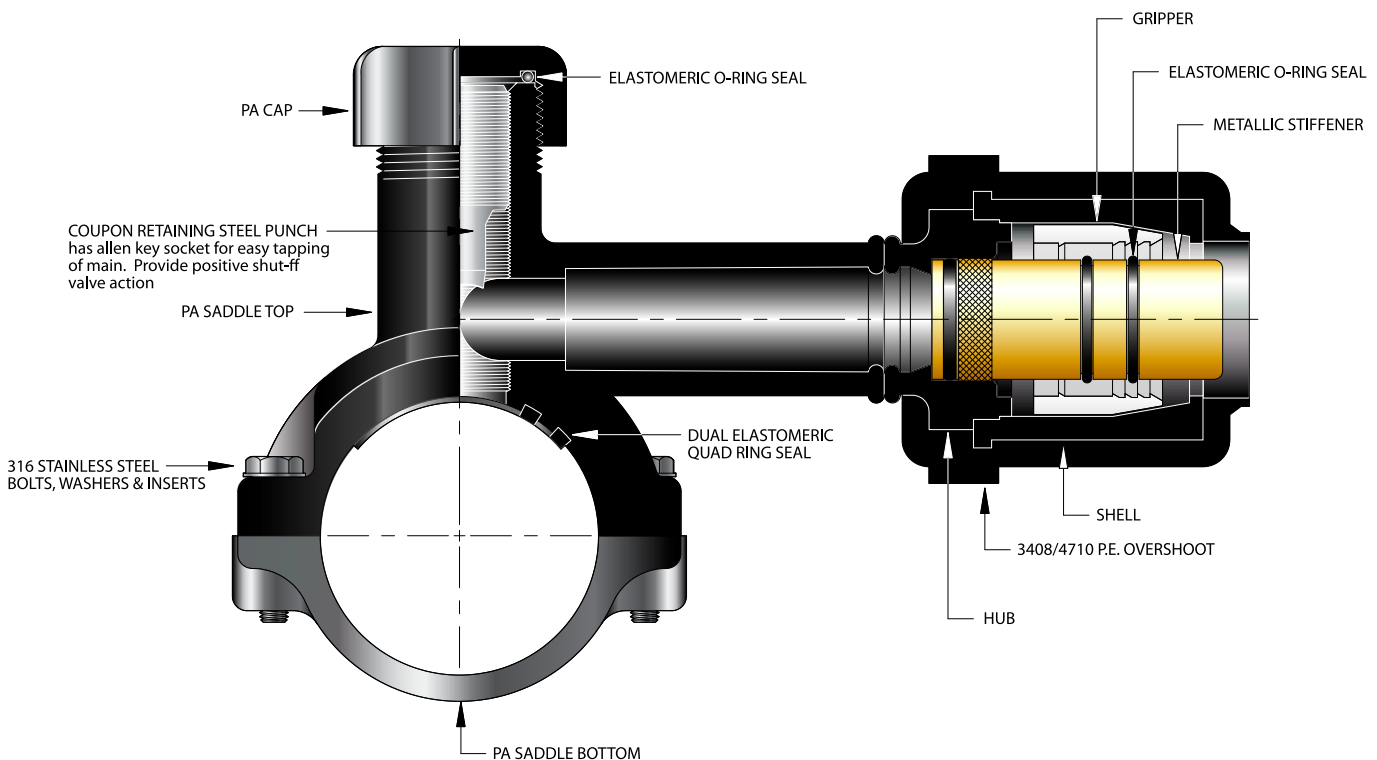
Easier. The Eliminator works on ALL kinds of pipe material...with a simple, consistent assembly process with visual indicators. This assembly does not require complex measurement devices, just easy to follow guidelines. The 3-step installation (bolt, stab and tap) is the simplest yet and the same procedure is used for 3408/4710, 2406/2708, 2306, 3306 or PVC mains. Calibration is NOT required. And finally, the Eliminator easily accommodates field variables like out-of-roundness, coiled pipe, weather, scratches, and pressure testing.

More Economical. It isn't hard to figure out that by requiring only one man 7 minutes to install the Eliminator, instead of the usual 2 men spending 30 minutes...the labor savings are significant. Plus there are no long-term maintenance costs of equipment and reduced training costs.

Safer. With the Eliminator, there's no chance of shocks from electrical equipment, chance of burns from heater plates, and no difficulties often experienced with pressured piping.

Superior Dependability. The Eliminator remains the market leader since its development in 1968. The Eliminator has been successfully installed millions of times...millions. The superior design ensures safe operations at elevated internal pressures and the ability to exceed all requirements of ASTM F 1924. And you can count on the Eliminator connection to endure in the most severe environmental conditions.

Choose the Eliminator or else forget about enjoying superior time and cost savings, reduced safety risks, and one of the industry's highest performance reputations.

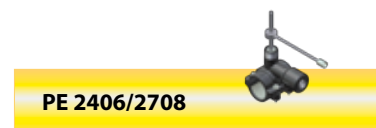




CON-STAB ID SEAL® ELIMINATORS

CON-STAB ID SEAL® ELIMINATORS

OUTLET (PE SIZE)	WALL	MAIN SIZE	PART NUMBER 5864 1/2" CR PUNCH	PART NUMBER 5764 13/16" CR PUNCH
1/2" CTS (5/8" OD)	.090	1"	5864-14-1604-00	N/A
		1 1/4"	5864-15-1604-00†	N/A
		1 1/2"	5864-16-1604-00	5764-16-1604-00
		2"	5864-17-1604-00†	5764-17-1604-00†
		3"	5864-19-1604-00	5764-19-1604-00†
		4"	5864-21-1604-00	5764-21-1604-00†
		6"	5864-24-1604-00	5764-24-1604-00†
3/4" CTS (7/8" OD)	.090	1"	5864-14-1606-00	N/A
		1 1/4"	5864-15-1606-00	N/A
		1 1/2"	5864-16-1606-00	5764-16-1606-00
		2"	5864-17-1606-00	5764-17-1606-00
		3"	5864-19-1606-00	5764-19-1606-00
		4"	5864-21-1606-00	5764-21-1606-00
		6"	5864-24-1606-00	5764-24-1606-00
1" CTS (1 1/8" OD)	.099/.101	1"	5864-14-1608-00	N/A
		1 1/4"	5864-15-1608-00	N/A
		1 1/2"	5864-16-1608-00	5764-16-1608-00
		2"	5864-17-1608-00	5764-17-1608-00
		3"	5864-19-1608-00	5764-19-1608-00
		4"	5864-21-1608-00	5764-21-1608-00
		6"	5864-24-1608-00	5764-24-1608-00
	.090	1"	5864-14-1608-0A	N/A
		1 1/4"	5864-15-1608-0A	N/A
		1 1/2"	5864-16-1608-0A	5764-16-1608-0A
		2"	5864-17-1608-0A	5764-17-1608-0A
		3"	5864-19-1608-0A	5764-19-1608-0A
		4"	5864-21-1608-0A	5764-21-1608-0A
		6"	5864-24-1608-0A	5764-24-1608-0A
1/2" IPS	SDR-9.33 (.090)	1"	5864-14-1612-00	N/A
		1 1/4"	5864-15-1612-00	N/A
		2"	5864-16-1612-00	5764-16-1612-00
		3"	5864-17-1612-00	5764-17-1612-00
		4"	5864-19-1612-00	5764-19-1612-00
		6"	5864-21-1612-00	5764-21-1612-00
		8"	5864-24-1612-00	5764-24-1612-00
3/4" IPS	SDR-11 (.095)	1"	5864-14-1613-00	N/A
		1 1/4"	5864-15-1613-00†	N/A
		1 1/2"	5864-16-1613-00	5764-16-1613-00
		2"	5864-17-1613-00†	5764-17-1613-00†
		3"	5864-19-1613-00	5764-19-1613-00†
		4"	5864-21-1613-00	5764-21-1613-00†
		6"	5864-24-1613-00	5764-24-1613-00†
1" IPS	SDR-11 (.119)	1"	5864-14-1614-00	N/A
		1 1/4"	5864-15-1614-00	N/A
		1 1/2"	5864-16-1614-00	5764-16-1614-00
		2"	5864-17-1614-00	5764-17-1614-00†
		3"	5864-19-1614-00	5764-19-1614-00†
		4"	5864-21-1614-00	5764-21-1614-00†
		6"	5864-24-1614-00	5764-24-1614-00†
8"	N/A	5764-26-1614-00		



- For sizes not listed, contact Continental Industries.
- Pressure rating: 100 psig MAOP
- Recommended accessories; Continental's Bladed Chamfering Tool. See page 32 for size combinations available.
 - 33-5505-00 ~ Combination Tapping Tool & Saddle Bolt "T" Wrench for 1" thru 6" IPS Eliminators (pg 31)
 - 33-5505-01 ~ Combination Tapping Tool & Saddle Bolt "T" Wrench for 3" thru 8" IPS Eliminators (pg 31)
 - 33-5508-00 ~ Test Plug Cap for Eliminator Saddles (pg 31)
- For Con-Stab ID Seal® Eliminators with EFV's, contact Continental Industries.
- For Protective Sleeves, see page 34.
- † = CSA Approved / ‡ = IAPMO/UPC Listed

33-5505-00 & 33-5505-01 ~ Combination Tapping Tool & Saddle Bolt "T" Wrench (pg 31)

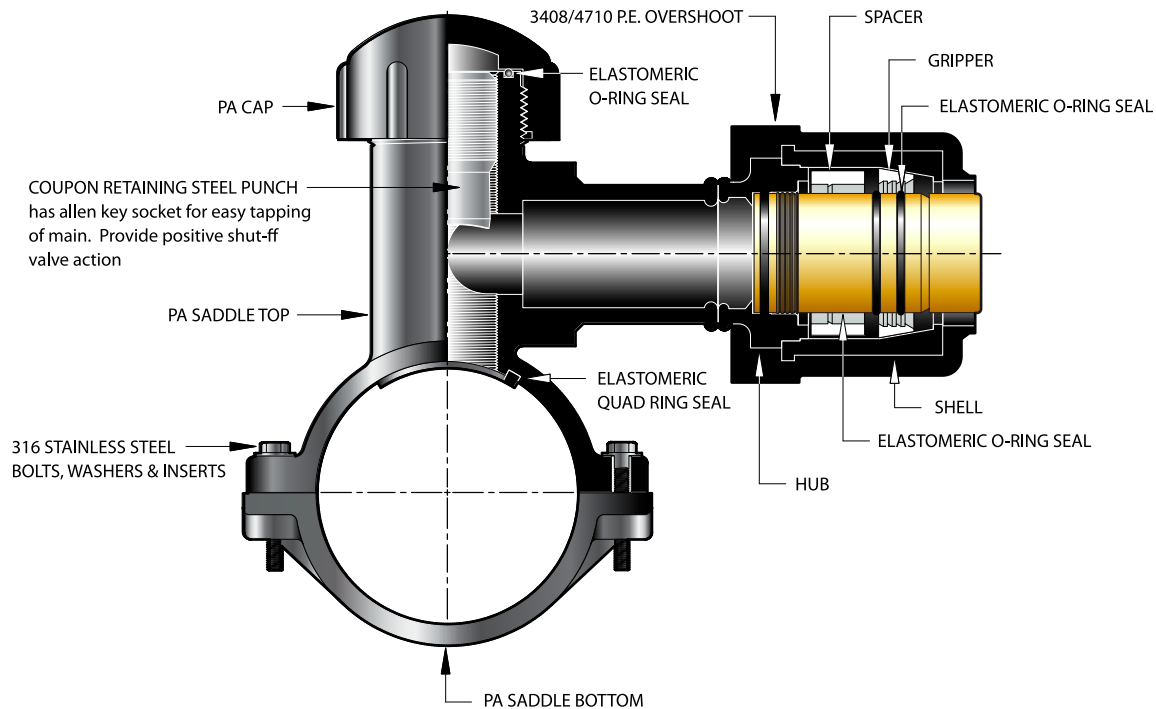
The Eliminator can be used on a variety of plastic fuel gas piping.



HIGH VOLUME TEE (HVT)

CON-STAB ID SEAL® ELIMINATORS

Plastic Saddle Punch Tee For Use On All PVC and PE Mains



With today's labor and economic conditions, you need a better option for making 1 1/4" and 2" lateral connections to plastic pipe. Continental's High Volume Tee is the only mechanical saddle that offers a 1 1/2" coupon retaining punch to minimize flow restrictions and maximize gas flow. Continental's High Volume Tee is available for 2", 3" 4", and 6" plastic pipe. Furthermore, you can choose Con-Stab or Compression outlets for your lateral connection.

Easy to install. The HVT can be used on a variety of plastic fuel gas piping. Visual indicators make repeatable successful installation a cinch. The 2-stage installation is the simplest yet and the same procedure is used for 3408/4710, 2406/2708, 2306, 3306 or PVC. Calibration is NOT required. And finally, the HVT easily accommodates field variable like out-of-roundness, coiled pipe, weather, and pressure testing.

Fast. Whereas fusion saddles require two men approximately 45 minutes to complete an installation of a single tee, installation with the HVT mechanical saddle takes just one man only 10 minutes. There's no cooling time necessary before removing clamps, before the pressure test, or before tapping the main. Auxiliary equipment like computerized controllers, generators, extension cords, clamps, scrappers, or special holding fixtures are NOT required.

Economical. It isn't hard to figure out that by requiring only one man 10 minutes to install the HVT, instead of the usual fusion method...the manpower savings are significant. Plus there are no long-term maintenance costs of equipment and reduced training requirements.

Safe. With the HVT, there's no chance of shocks from electrical equipment, no chance of burns from heater plates, and no difficulties often experienced with saddle fusions made to pressurized mains.

Superior Dependability. The market leader since its development in 1968. The HVT has been successfully installed millions of times...millions. The innovative design and advanced sealing methodology utilized means the extended life of the piping system. And you can count on the HVT connection to endure in the most severe environmental conditions. The superior design ensures safe operations at elevated internal pressures and the ability to exceed all requirements of ASTM F 1924.

For all your high volume lateral connections on plastic pipe, choose the super easy HVT.



CON-STAB ID SEAL® ELIMINATORS

CON-STAB ID SEAL® HVT ELIMINATORS

OUTLET (PE SIZE)	WALL	MAIN SIZE	PART NUMBER
1 1/4" IPS	SDR-10 (.166)	2"	5664-17-1615-00
		3"	5664-19-1615-00
		4"	5664-21-1615-00
		6"	5664-24-1615-00
	SDR-11 (.151)	2"	5664-17-1615-0A
		3"	5664-19-1615-0A
4"		5664-21-1615-0A	
2" IPS	SDR-11 (.216)	2"	5664-17-1617-00
		3"	5664-19-1617-00
		4"	5664-21-1617-00
		6"	5664-24-1617-00

- For sizes not listed, contact Continental Industries.
- Pressure rating—Designed to meet or exceed pressure rating of PE pipe per 49 CFR Part 192 and ASTM D2513.
- Recommended accessories;
 - Continental's Bladed Chamfering Tool. See page 32 for size combinations available.
 - 33-4363-00 ~ 1/2" Square Drive Key, Bushing and Socket Adapter (pg 31)
 - 33-6290-00 ~ Test Plug Cap for Eliminator Saddles (pg 31)
- For Protective Sleeves, see page 34.



33-4363-00 ~ 1/2" Square Drive Key, Bushing and Socket Adapter (pg 31)

- **AVAILABLE WITH:**
 - 2" to 6" IPS mains
 - Stab or compression outlet
 - 1 1/2" coupon retaining punch
- **INCREASED PRESSURE CAPABILITY:**
 - Eliminator pressure rating: 100 psig MAOP
 - PA saddles elevated temperature code CE
- **POLYAMIDE MATERIAL (PA):**
 - Used for 30 years in gas industry
 - Listed material in ASTM D 2513
 - Superior chemical resistance
 - PA is stronger than PE
 - Elevated temperature performance
- **FULL CIRCUMFERENTIAL COMPRESSION**
 - Stable foundation
 - Rotation resistance
 - Equal stress distribution
 - Simple tapping procedure

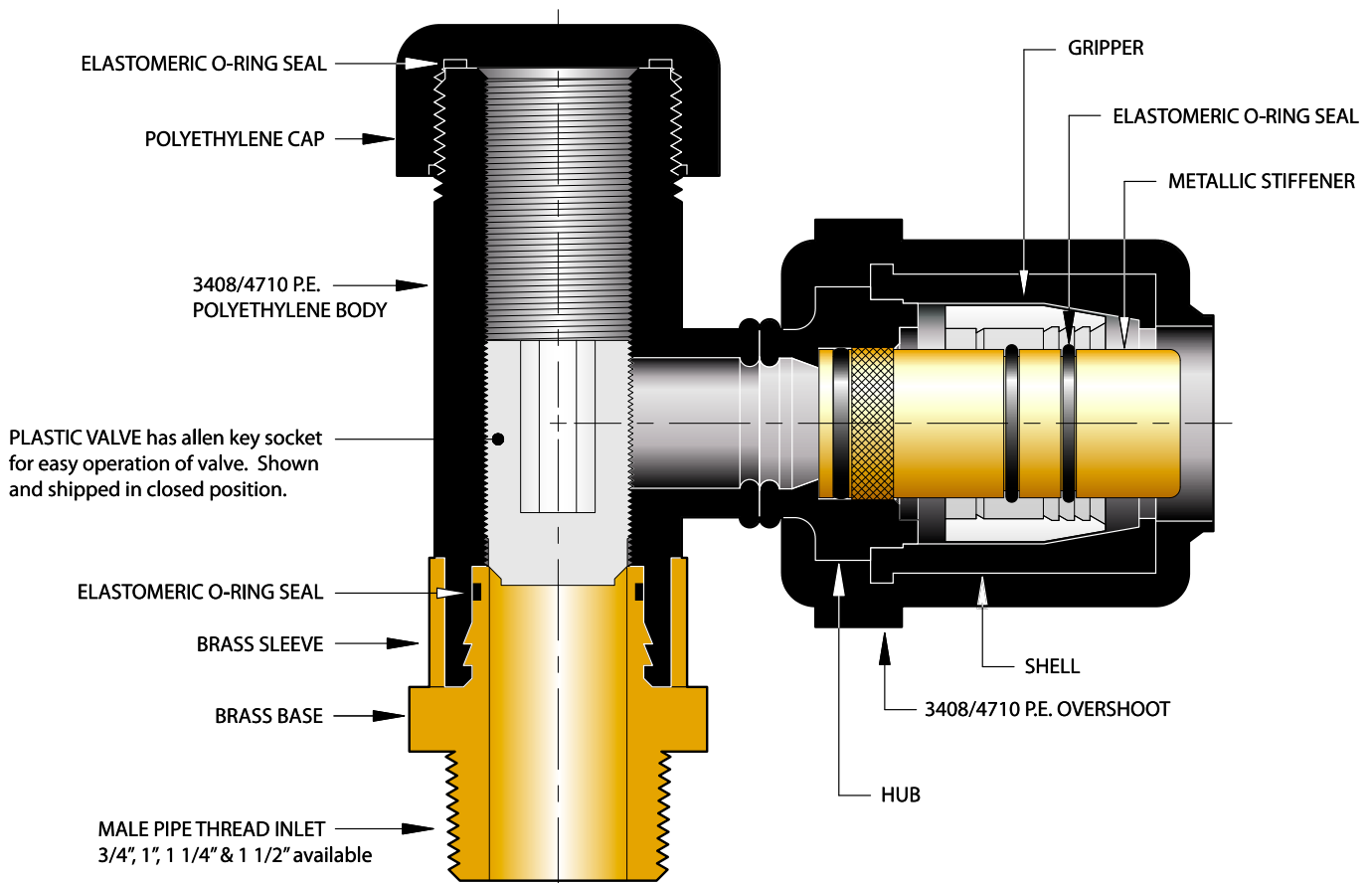


The HVT can be used on a variety of plastic fuel gas piping.



POLYETHYLENE VALVE TEE For Use On Cast Iron Mains

The polyethylene valve tee provides a new efficient method of attaching services to cast iron mains. The polyethylene valve tee can be attached to any size metallic main through standard drill and tap operations. The valve tee incorporates corrosion resistant materials (brass and polyethylene). The innovative design provides a low profile tee which makes it less vulnerable to damage. Each valve tee utilizes a threaded internal plug for gas shut off and a brass base that can be swivelled 360° to simplify the connection to the service. The valve tee design has been tested to meet or exceed all D.O.T. and ASTM requirements and can be operated at 75 psig. All of these features combine to provide the most cost effective method for attaching polyethylene services to cast iron mains.



- AVAILABLE WITH A CON-STAB ID SEAL® OR BUTT FUSION OUTLET
- CORROSION RESISTANT
- MEETS OR EXCEEDS ALL D.O.T. AND ASTM REQUIREMENTS
- ASTM B62 BRASS SLEEVE AND BASE
- CAN BE ROTATED 360° AFTER BEING INSTALLED ON MAIN
- ASSEMBLED READY TO INSTALL
- CAN WITHSTAND 150 PSI AIR TEST WITH NO LEAK TO THE MAIN



PE VALVE TEE For Use On Metallic Mains

OUTLET (PE SIZE)	WALL	INLET SIZE	PART NUMBER (3408/4710)
1/2" CTS (5/8" OD)	.090	3/4"	1332-11-1604-00
		1"	1432-11-1604-00
		1 1/4"	1532-11-1604-00
		1 1/2"	1632-11-1604-00
3/4" CTS (7/8" OD)	.090	3/4"	1332-11-1606-00
		1"	1432-11-1606-00
		1 1/4"	1532-11-1606-00
		1 1/2"	1632-11-1606-00
1" CTS (1 1/8" OD)	.099/.101	3/4"	1332-11-1608-00
		1"	1432-11-1608-00
		1 1/4"	1532-11-1608-00
		1 1/2"	1632-11-1608-00
	.090	3/4"	1332-11-1608-0A
		1"	1432-11-1608-0A
		1 1/4"	1532-11-1608-0A
		1 1/2"	1632-11-1608-0A
1 1/4" CTS (1 3/8" OD)	.090	3/4"	1332-11-1639-0A
		1"	1432-11-1639-0A
		1 1/4"	1532-11-1639-0A
		1 1/2"	1632-11-1639-0A
1/2" IPS	SDR-9.33 (.090)	3/4"	1332-11-1612-00
		1"	1432-11-1612-00
		1 1/4"	1532-11-1612-00
		1 1/2"	1632-11-1612-00
3/4" IPS	SDR-11 (.095)	3/4"	1332-11-1613-00
		1"	1432-11-1613-00
		1 1/4"	1532-11-1613-00
		1 1/2"	1632-11-1613-00
1" IPS	SDR-11 (.119)	3/4"	1332-11-1614-00
		1"	1432-11-1614-00
		1 1/4"	1532-11-1614-00
		1 1/2"	1632-11-1614-00



- For sizes not listed, contact Continental Industries.
- PE Valve Tees rated at 75 psig.
- Recommended accessories; Continental's Bladed Chamfering Tool. See page 32 for size combinations available.
- For Protective Sleeves, see page 34.



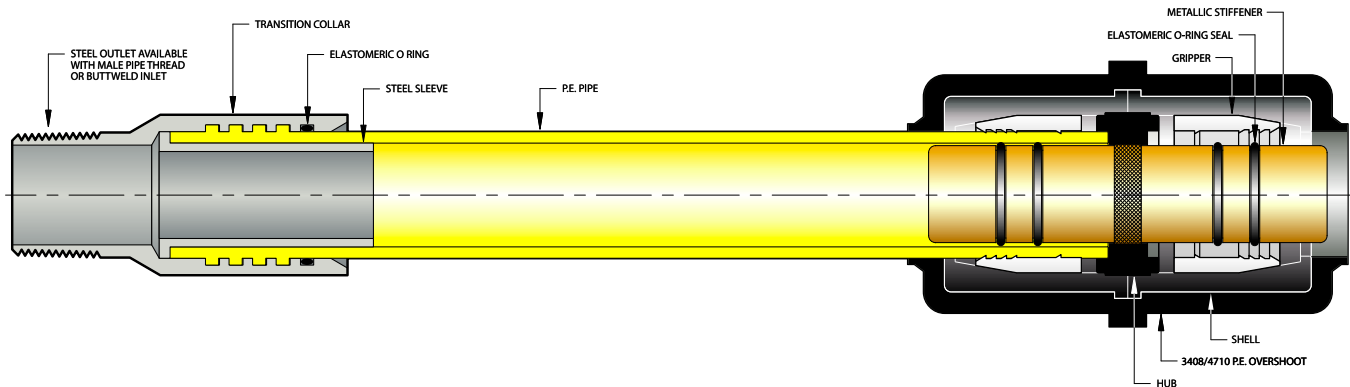
Contact Continental Industries about
PE Valve Tees with a Con-Stab ID Seal®
Swing Joint.



TRANSITION FITTINGS

Polyethylene Pipe x Pipe Thread

For Joining Polyethylene Pipe To Metallic Pipe



- O-RING SEAL PROVIDES POSITIVE SEAL
- ZINC PLATED FOR CORROSION PROTECTION
- MECHANICALLY HELD - PROVIDES MAXIMUM PULL-OUT RESISTANCE—tensile strength exceeds requirements of D.O.T., Title 49 of the Code of Federal Regulations, Part 192.283 (b)
- AVAILABLE WITH 2406/2708 OR 3408/4710 PE EXTENSIONS
- CONFORMS TO ASTM D2513, & ANSI B31.8 & DOT 192.121
- AVAILABLE WITH MALE PIPE THREADED END



TRANSITION FITTINGS

TRANSITION FITTINGS

OUTLET	WALL	INLET	PART NUMBER 2406/2708	PART NUMBER 3408/4710	OVERALL LENGTH
1/2" CTS (5/8" OD)	.090	1/2" MPT	4646-00-1904-00†‡	4949-00-1904-00‡	14 3/8"
1" CTS (1 1/8" OD)	.099/.101	1" MPT	4646-00-1908-00†‡	4949-00-1908-00‡	14 3/4"
1/2" IPS	SDR-9.33 (.090)	3/4" MPT	4646-00-1912-00‡	4949-00-1912-00‡	14 11/32"
3/4" IPS	SDR-11 (.095)	3/4" MPT	4646-00-1913-00†‡	4949-00-1913-00‡	15"
1" IPS	SDR-11 (.119)	1" MPT	4646-00-1914-00†‡	4949-00-1914-00‡	16 1/8"
1 1/4" IPS	SDR-10 (.166)	1 1/4" MPT	4646-00-1915-00†‡	Not Available	16 1/16"
1 1/4" IPS	SDR-11 (.151)	1 1/4" MPT	4646-00-1915-0A†‡	4949-00-1915-0A‡	16 1/16"
1 1/2" IPS	SDR-11 (.171)	1 1/2" MPT	4646-00-1916-00†‡	4949-00-1916-00‡	16 5/16"
2" IPS	SDR-11 (.166)	2" MPT	4646-00-1917-00†‡	4949-00-1917-00‡	16 11/16"



- For sizes not listed, contact Continental Industries.
- Pressure rating—Designed to meet or exceed pressure rating of PE pipe per 49 CFR Part 192 and ASTM D2513.
- † = CSA Approved / ‡ = IAPMO/UPC Listed

CON-STAB ID SEAL® STEEL TRANSITION FITTINGS

OUTLET (PE SIZE)	WALL	INLET	PART NUMBER 2406/2708	PART NUMBER 3408/4710	OVERALL LENGTH
1/2" CTS (5/8" OD)	.090	1/2" MPT	4646-00-1904-25†‡	4949-00-1904-25‡	16 9/16"
1" CTS (1 1/8" OD)	.099/.101	1" MPT	4646-00-1908-25†‡	4949-00-1908-25‡	16 15/16"
1/2" IPS	SDR-9.33 (.090)	3/4" MPT	4646-00-1912-25‡	4949-00-1912-25‡	16 9/16"
3/4" IPS	SDR-11 (.095)	3/4" MPT	4646-00-1913-25†‡	4949-00-1913-25‡	17 3/16"
1" IPS	SDR-11 (.119)	1" MPT	4646-00-1914-25†‡	4949-00-1914-25‡	19 1/4"
1 1/4" IPS	SDR-10 (.166)	1 1/4" MPT	4646-00-1915-25†‡	Not Available	19 3/16"
1 1/4" IPS	SDR-11 (.151)	1 1/4" MPT	9946-00-0058-25†‡	9949-00-0001-25‡	19 3/16"
1 1/2" IPS	SDR-11 (.171)	1 1/2" MPT	4646-00-1916-25†‡	4949-00-1916-25‡	19 7/16"
2" IPS	SDR-11 (.166)	2" MPT	4646-00-1917-25†‡	4949-00-1917-25‡	19 13/16"



- For sizes not listed, contact Continental Industries.
- Pressure rating—Designed to meet or exceed pressure rating of PE pipe per 49 CFR Part 192 and ASTM D2513.
- Recommended accessories; Continental's Bladed Chamfering Tool. See page 32 for size combinations available.
- † = CSA Approved / ‡ = IAPMO/UPC Listed

CON-STAB ID SEAL® BRASS TRANSITION FITTINGS

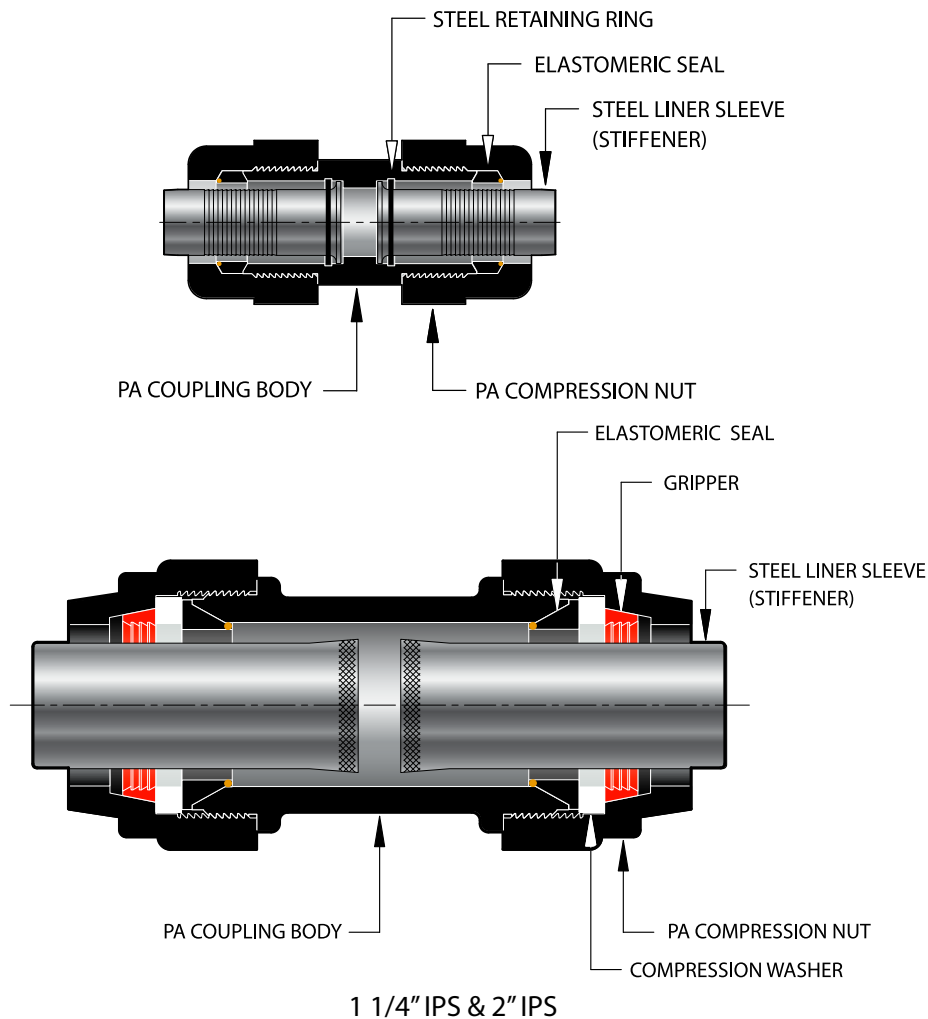
OUTLET (PE SIZE)	WALL	INLET	PART NUMBER (3408/4710)
1/2" CTS (5/8" OD)	.090	1/2" MPT	9932-00-0002-00
		1/2" FPT	9932-00-0019-00
		3/4" MPT	9932-00-0004-00
		3/4" FPT	9932-00-0021-00
1" CTS (1 1/8" OD)	.099/.101	3/4" MPT	9932-00-0008-00
		3/4" FPT	9932-00-0025-00
		1" MPT	9932-00-0010-00
	.090	1" FPT	9932-00-0027-00
		3/4" MPT	9932-00-0007-00
		3/4" FPT	9932-00-0024-00
1/2" IPS	SDR-9.33 (.090)	1" MPT	9932-00-0009-00
		1" FPT	9932-00-0026-00
		1/2" MPT	9932-00-0013-00
		1/2" FPT	9932-00-0030-00
3/4" IPS	SDR-11 (.095)	3/4" MPT	9932-00-0014-00
		3/4" FPT	9932-00-0031-00
		3/4" MPT	9932-00-0015-00
		3/4" FPT	9932-00-0032-00
		1" MPT	9932-00-0016-00
		1" FPT	9932-00-0033-00



- For sizes not listed, contact Continental Industries.
- Pressure rating—Designed to meet or exceed pressure rating of PE pipe per 49 CFR Part 192 and ASTM D2513.
- Recommended accessories; Continental's Bladed Chamfering Tool. See page 32 for size combinations available.



COMPRESSION FITTINGS



- **QUICKLY AND EASILY INSTALLED**—because it's pre-assembled. Just insert tubing and tighten compression nut (except for 1 1/4" & 2" IPS, see instructions on shipping bag).
- **COMPRESSION FITTINGS**—can be used on a variety of polyethylene fuel gas piping. Visual indicators make repeatable and successful installation a cinch. The installation is simple and the same procedure is used for 3408/4710, 2406/2708, 2306 or 3306 PE.
- **DESIGNED FOR MAXIMUM PULL-OUT STRENGTH**—tensile strength exceeds requirements of D.O.T., Title 49 of the Code of Federal Regulations, Part 192.283 (b)
- **PERMANENT LEAK-PROOF JOINT**
- **ECONOMICAL AND EXTREMELY VERSATILE**
- **GASKET FULLY RETAINED TO PREVENT COLD FLOW**
- Reference Instruction Sheet 34-4834-92 for 1/2" CTS through 1" IPS and 34-4834-32 for 1 1/4" & 2" IPS couplings for proper installation.



COMPRESSION FITTINGS



COMPRESSION FITTINGS Full Couplings

PE SIZE	WALL	PART NUMBER
1/2" CTS (5/8" OD)	.090	5657-52-1004-00‡
	.062	5657-52-1004-AA
1" CTS (1 1/8" OD)	.099/.101	5657-52-1008-00
	.090	5657-52-1008-AA
3/4" IPS	SDR-11 (.095)	5657-52-1013-00
1" IPS	SDR-11 (.119)	5657-52-1014-00
1 1/4" IPS	SDR-10 (.166)	5657-52-1015-00
	SDR-11 (.151)	5657-52-1015-AA
2" IPS	SDR-11 (.216)	5657-52-1017-00

For sizes not listed, contact Continental Industries.
 Pressure rating—Designed to meet or exceed pressure rating of PE pipe per 49 CFR Part 192 and ASTM D2513.
 For PA Couplings with EFV's, contact Continental Industries.
 ‡ = IAPMO/UPC Listed



COMPRESSION FITTINGS End Caps

PE SIZE	WALL	PART NUMBER
1/2" CTS (5/8" OD)	.090	5657-53-1004-00
	.062	5657-53-1004-0A
1" CTS (1 1/8" OD)	.099/.101	5657-53-1008-00
	.090	5657-53-1008-0A
3/4" IPS	SDR-11 (.095)	5657-53-1013-00
1" IPS	SDR-11 (.119)	5657-53-1014-00
1 1/4" IPS	SDR-10 (.166)	5657-53-1015-00
	SDR-11 (.151)	5657-53-1015-0A
2" IPS	SDR-11 (.216)	5657-53-1017-00

For sizes not listed, contact Continental Industries.
 Pressure rating—Designed to meet or exceed pressure rating of PE pipe per 49 CFR Part 192 and ASTM D2513.



COMPRESSION FITTINGS 3-Way Tees

PE SIZE	WALL	PART NUMBER
1/2" CTS (5/8" OD)	.090	5657-50-1004-00
	.062	5657-50-1004-AA
1" CTS (1 1/8" OD)	.099/.101	5657-50-1008-00
	.090	5657-50-1008-AA
3/4" IPS	SDR-11 (.095)	5657-50-1013-00

For sizes not listed, contact Continental Industries.
 Pressure rating—Designed to meet or exceed pressure rating of PE pipe per 49 CFR Part 192 and ASTM D2513.



COMPRESSION FITTINGS 90° Elbows

PE SIZE	WALL	PART NUMBER
1/2" CTS (5/8" OD)	.090	5657-51-1004-00
	.062	5657-51-1004-AA
1" CTS (1 1/8" OD)	.099/.101	3259-51-1008-00
	.090	5657-51-1008-AA
3/4" IPS	SDR-11 (.095)	5657-51-1013-00

For sizes not listed, contact Continental Industries.
 Pressure rating—Designed to meet or exceed pressure rating of PE pipe per 49 CFR Part 192 and ASTM D2513.

COMPRESSION FITTINGS Reducer Couplings

PE SIZE	WALL	PE SIZE	WALL	PART NUMBER	
1/2" CTS (5/8" OD)	.090	1/2" CTS (5/8" OD)	.062	5657-54-0404-0A	
		1/4" CTS (3/8" OD)	.062	5657-54-0402-00 5657-54-0402-A0	
1" CTS (1 1/8" OD)	.099/.101	3/4" IPS	SDR-11 (.095)	5657-54-0813-00	
				5657-54-0813-A0	
	.090	1/2" CTS (5/8" OD)	.062	5657-54-0804-0A	
				5657-54-0804-AA	
				5657-54-0804-00 5657-54-0804-A0	
3/4" IPS	SDR-11 (.095)	1/2" CTS (5/8" OD)	.090	5657-54-1304-00 5657-54-1304-0A	
1" IPS	SDR-11 (.119)	1" CTS (1 1/8" OD)	.099/.101	5657-54-1408-00	
			.090	5657-54-1408-0A	
		3/4" IPS	SDR-11 (.095)	.090	5657-54-1413-00
				.062	5657-54-1404-0A
1 1/4" IPS	SDR-10 (.166)	1 1/4" IPS	SDR-11 (.151)	5657-54-1015-0A	



For sizes not listed, contact Continental Industries.
 Pressure rating—Designed to meet or exceed pressure rating of PE pipe per 49 CFR Part 192 and ASTM D2513.



ELIMINATORS

Plastic Saddle Punch Tee For Use On PVC and PE Mains

The changing challenges of today's gas industry demand a better option for making lateral connections to plastic gas pipe. Your absolute best option is now the Eliminator mechanical saddle.

Faster. No preparation/set-up time for auxiliary tooling. Installation with the Eliminator mechanical saddle takes just one man only seven minutes, compared to fusion saddles that require two men 30 minutes, to complete an installation. Eliminates the cooling time before removing clamps, before the pressure test, or before tapping the main. Only one tool—a "T" wrench—is required. Auxiliary equipment like generators, extension cords, clamps, scrapers, or special holding fixtures are NOT required.

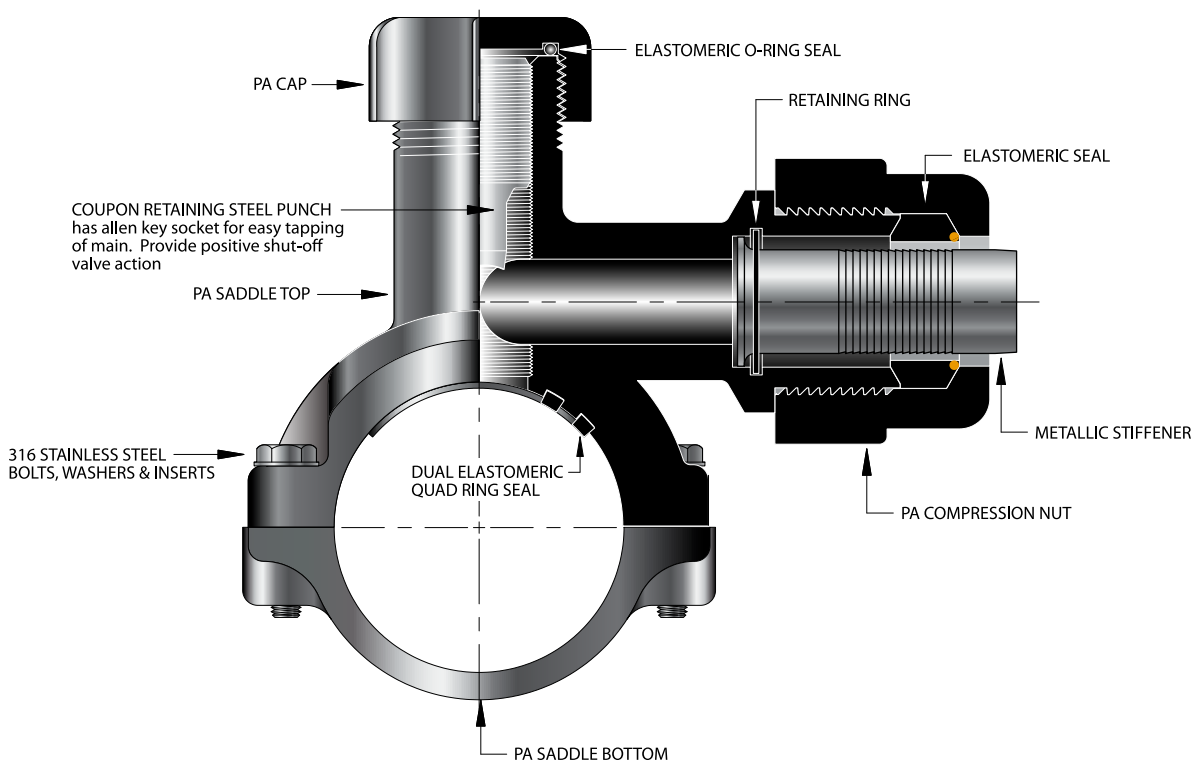
Easier. The Eliminator works on ALL kinds of pipe material...with a simple, consistent assembly process with visual indicators. This assembly does not require complex measurement devices, just easy to follow guidelines. The 3-step installation (bolt, stab and tap) is the simplest yet and the same procedure is used for 3408/4710, 2406/2708, 2306, 3306 PE or PVC mains. Calibration is NOT required. And finally, the Eliminator easily accommodates field variables like out-of-roundness, coiled pipe, weather, scratches, and pressure testing.

More Economical. It isn't hard to figure out that by requiring only one man 7 minutes to install the Eliminator, instead of the usual 2 men spending 30 minutes...the labor savings are significant. Plus there are no long-term maintenance costs of equipment and reduced training costs.

Safer. With the Eliminator, there's no chance of shocks from electrical equipment, chance of burns from heater plates, and no difficulties often experienced with pressured piping.

Superior Dependability. The Eliminator remains the market leader since its development in 1968. The Eliminator has been successfully installed millions of times...millions. The superior design ensures safe operations at elevated internal pressures and the ability to exceed all requirements of ASTM F 1924. And you can count on the Eliminator connection to endure in the most severe environmental conditions.

Choose the Eliminator or else forget about enjoying superior time and cost savings, reduced safety risks, and one of the industry's highest performance reputations.





ELIMINATORS

OUTLET (PE SIZE)	WALL	MAIN SIZE	PART NUMBER	
			5864 1/2" CR PUNCH	5764 13/16" CR PUNCH
1/2" CTS (5/8" OD)	.090	1"	5864-14-1004-00	N/A
		1 1/4"	5864-15-1004-00	N/A
		2"	5864-17-1004-00	5764-17-1004-00
		3"	5864-19-1004-00	5764-19-1004-00
		4"	5864-21-1004-00	5764-21-1004-00
		6"	5864-24-1004-00	5764-24-1004-00
	.062	8"	N/A	5764-26-1004-00
		1"	5864-14-1004-0A	N/A
		1 1/4"	5864-15-1004-0A	N/A
		2"	5864-17-1004-0A	5764-17-1004-0A
		3"	5864-19-1004-0A	5764-19-1004-0A
		4"	5864-21-1004-0A	5764-21-1004-0A
		6"	5864-24-1004-0A	5764-24-1004-0A
		8"	N/A	5764-26-1004-0A
1" CTS (1 1/8" OD)	.099/.101	1"	5864-14-1008-00	N/A
		1 1/4"	5864-15-1008-00	N/A
		2"	5864-17-1008-00	5764-17-1008-00
		3"	5864-19-1008-00	5764-19-1008-00
		4"	5864-21-1008-00	5764-21-1008-00
		6"	5864-24-1008-00	5764-24-1008-00
	.090	8"	N/A	5764-26-1008-00
		1"	5864-14-1008-0A	N/A
		1 1/4"	5864-15-1008-0A	N/A
		2"	5864-17-1008-0A	5764-17-1008-0A
		3"	5864-19-1008-0A	5764-19-1008-0A
		4"	5864-21-1008-0A	5764-21-1008-0A
		6"	5864-24-1008-0A	5764-24-1008-0A
		8"	N/A	5764-26-1008-0A
3/4" IPS	SDR-11 (.095)	1"	5864-14-1013-00	N/A
		1 1/4"	5864-15-1013-00	N/A
		2"	5864-17-1013-00	5764-17-1013-00
		3"	5864-19-1013-00	5764-19-1013-00
		4"	5864-21-1013-00	5764-21-1013-00
		6"	5864-24-1013-00	5764-24-1013-00
		8"	N/A	5764-26-1013-00
1" IPS	SDR-11 (.119)	1"	5864-14-1014-00	N/A
		1 1/4"	5864-15-1014-00	N/A
		2"	5864-17-1014-00	5764-17-1014-00
		3"	5864-19-1014-00	5764-19-1014-00
		4"	5864-21-1014-00	5764-21-1014-00
		6"	5864-24-1014-00	5764-24-1014-00
		8"	N/A	5764-26-1014-00

For sizes not listed, contact Continental Industries.
Pressure rating: 100 psig MAOP.

Recommended accessories: 33-5505-00 ~ Combination Tapping Tool & Saddle Bolt "T" Wrench for 1" thru 6" IPS Eliminators (pg 31), 33-5505-01 ~ Combination Tapping Tool & Saddle Bolt "T" Wrench for 3" thru 8" IPS Eliminators (pg 31), 33-5508-00 ~ Test Plug Cap for Eliminator Saddles (pg 31)

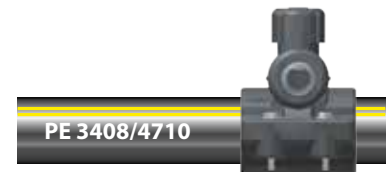
For PA Eliminators with EFV's, contact Continental Industries.
For Protective Sleeves, see page 34.

MECHANICAL SADDLES
are the most economical and
dependable way to make lateral
connections to plastic gas pipe.



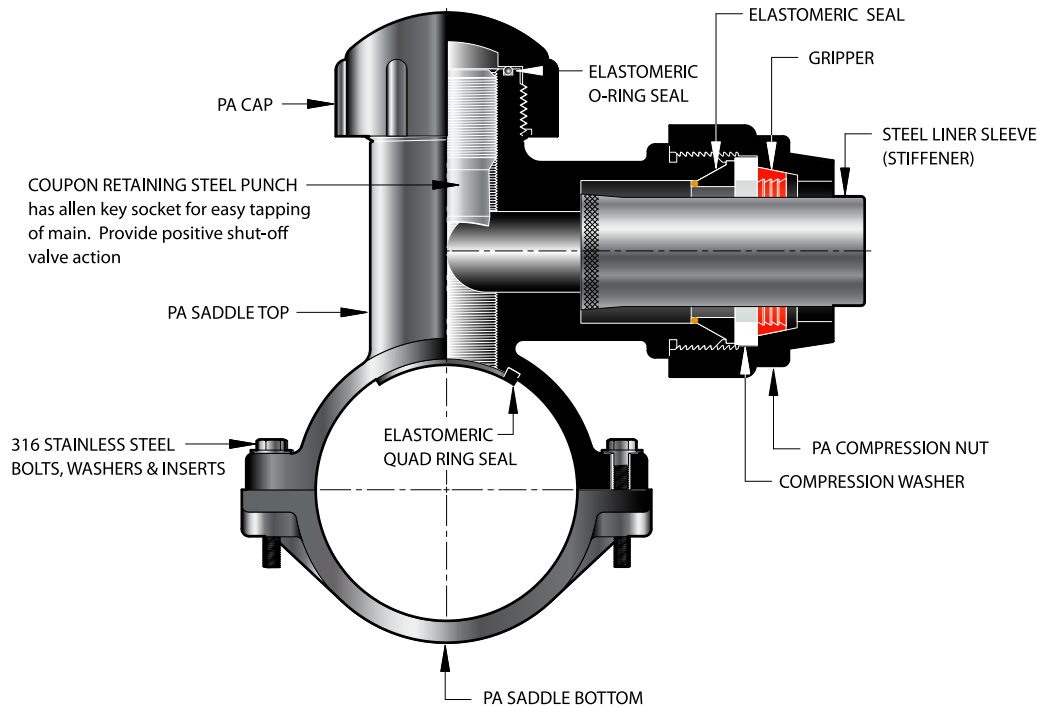
33-5505-00 & 33-5505-01
Combination Tapping Tool & Saddle Bolt
"T" Wrench (pg 31)

The Eliminator can be used on a
variety of plastic fuel gas piping.



HIGH VOLUME TEE (HVT) ELIMINATORS

Plastic Saddle Punch Tee For Use On PVC and PE Mains



With today's labor and economic conditions, you need a better option for making 1 1/4" and 2" lateral connections to plastic pipe. Continental's High Volume Tee is the only mechanical saddle that offers a 1 1/2" coupon retaining punch to minimize flow restrictions and maximize gas flow. Continental's High Volume Tee is available for 2", 3" 4", and 6" plastic pipe. Furthermore, you can choose Con-Stab or Compression outlets for your lateral connection.

Easy to install. The HVT can be used on a variety of plastic fuel gas piping. Visual indicators make repeatable successful installation a cinch. The 2-stage installation is the simplest yet and the same procedure is used for 3408/4710, 2406/2708, 2306, 3306 PE or PVC. Calibration is NOT required. And finally, the HVT easily accommodates field variable like out-of-roundness, coiled pipe, weather, and pressure testing.

Fast. Whereas fusion saddles require two men approximately 45 minutes to complete an installation of a single tee, installation with the HVT mechanical saddle takes just one man only 10 minutes. There's no cooling time necessary before removing clamps, before the pressure test, or before tapping the main. Auxiliary equipment like computerized controllers, generators, extension cords, clamps, scrapers, or special holding fixtures are NOT required.

Economical. It isn't hard to figure out that by requiring only one man 10 minutes to install the HVT, instead of the usual fusion method...the manpower savings are significant. Plus there are no long-term maintenance costs of equipment and reduced training requirements.

Safe. With the HVT, there's no chance of shocks from electrical equipment, no chance of burns from heater plates, and no difficulties often experienced with saddle fusions made to pressurized mains.

Superior Dependability. The market leader since its development in 1968. The HVT has been successfully installed millions of times...millions. The innovative design and advanced sealing methodology utilized means the extended life of the piping system. And you can count on the HVT connection to endure in the most severe environmental conditions. The superior design ensures safe operations at elevated internal pressures and the ability to exceed all requirements of ASTM F 1924.

For all your high volume lateral connections on plastic pipe, choose the super easy HVT.



HVT ELIMINATORS

OUTLET (PE SIZE)	WALL	MAIN SIZE	PART NUMBER 1 1/2" CR PUNCH
1 1/4" IPS	SDR-10 (.166)	2"	5664-17-1015-00
		3"	5664-19-1015-00
		4"	5664-21-1015-00
		6"	5664-24-1015-00
	SDR-11 (.151)	2"	5664-17-1015-0A
		3"	5664-19-1015-0A
4"		5664-21-1015-0A	
2" IPS	SDR-11 (.216)	2"	5664-17-1017-00
		3"	5664-19-1017-00
		4"	5664-21-1017-00
		6"	5664-24-1017-00

For sizes not listed, contact Continental Industries.

Pressure rating: 100 psig MAOP

Recommended accessories:

33-4363-00 ~ 1/2" Square Drive Key, Bushing and Socket Adapter (pg 31),

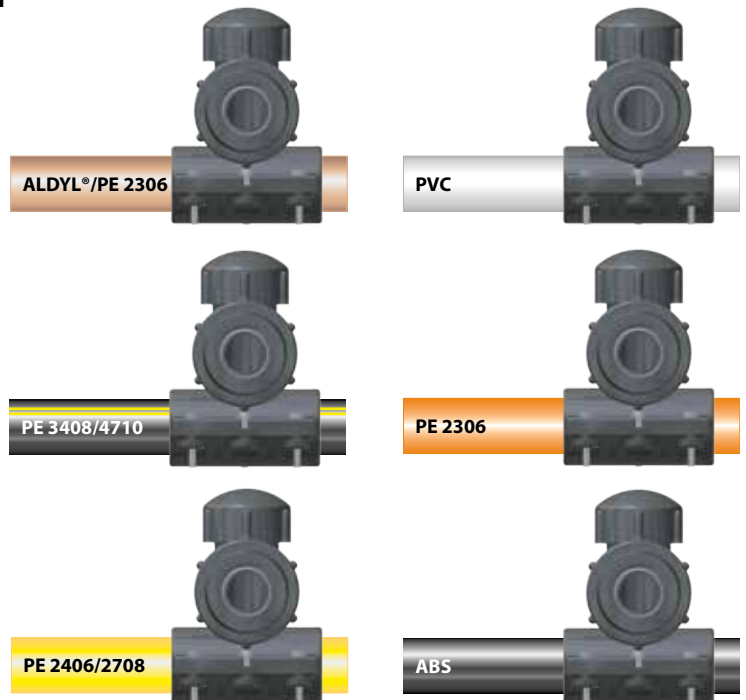
33-6290-00 ~ Test Plug Cap for Eliminator Saddles (pg 31)

For Protective Sleeves, see page 34.



33-4363-00
1/2" Square Drive Key, Bushing and
Socket Adapter (pg 31)

- **AVAILABLE WITH:**
 - 2" to 6" IPS mains
 - Compression or Stab outlet
 - 1 1/2" coupon retaining punch
- **INCREASED PRESSURE CAPABILITY:**
 - Eliminator Pressure Rating: 100 psig MAOP
 - PA saddles elevated temperature code CE
- **POLYAMIDE MATERIAL (PA):**
 - Used for 30 years in gas industry
 - Listed material in ASTM D 2513
 - Superior chemical resistance
 - PA is stronger than PE
 - Elevated temperature performance
- **FULL CIRCUMFERENTIAL COMPRESSION**
 - Stable foundation
 - Rotation resistance
 - Equal stress distribution
 - Simple tapping procedure



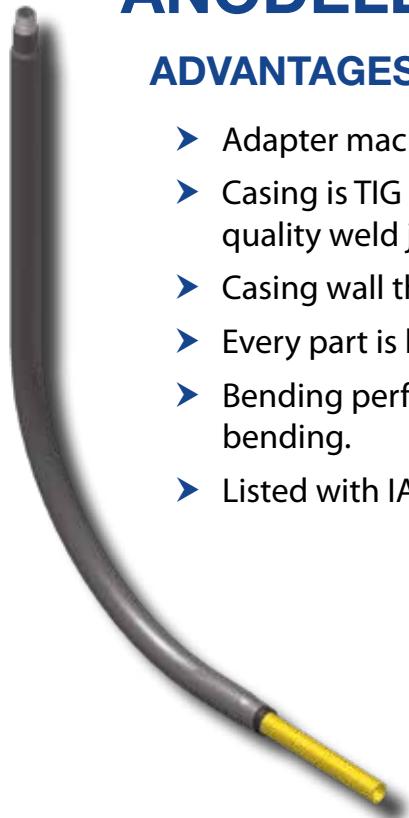
The HVT can be used on a variety of plastic fuel gas piping.



ANODELESS METER RISERS

ADVANTAGES

- Adapter machined from solid bar stock; not welded.
- Casing is TIG welded to adapter which provides a stronger and higher quality weld joint.
- Casing wall thickness exceeds ASTM requirements.
- Every part is leak tested.
- Bending performed through roll bending as opposed to rotary bending.
- Listed with IAPMO/UPC and CSA.



Specifications:

- Meets or exceeds all requirements for the Categorization of Mechanical Fittings within ASTM D2513 Category 1, and requirements from the Code of Federal Regulations, Title 49 part 192.281, 192.283 and 192.375.
- Meets or exceeds NFPA-58.
- Listed with IAPMO/UPC and CSA.
- Pipe Threads conform to ANSI B1.20.1.
- All Gas Carrying Steel parts meet or exceed ASTM A53.
- Casing Materials meet or exceed ASTM A 513.
- All polyethylene pipe and tubing components conform to ASTM D 2513.





ANODELESS METER RISERS

ANODELESS METER RISERS



SIZE (MPT X PE)	WALL	VERTICAL LENGTH	HORIZONTAL LENGTH	PART NUMBER	PART NUMBER with Con-Stab
1/2" MPT X 1/2" CTS (5/8" OD) PE	.090	30"	15"	1253-91-4604-00†‡	1253-91-4604-25†‡
3/4" MPT X 1/2" CTS (5/8" OD) PE	.090	18"	19"	9953-99-0520-00†‡	9953-99-0521-00†‡
3/4" MPT X 1/2" CTS (5/8" OD) PE	.090	30"	17"	1353-91-4604-00†‡	1353-91-4604-25†‡
3/4" MPT X 1/2" IPS PE	SDR-9.3 (.090)	30"	17"	1353-91-4612-00‡	1353-91-4612-25
3/4" MPT X 3/4" IPS PE	SDR-11 (.095)	30"	16"	1353-91-4613-00†‡	1353-91-4613-25†‡
3/4" MPT X 1" CTS (1 1/8" OD) PE	.099/.101	30"	16"	1353-91-4608-00†‡	1353-91-4608-25‡
3/4" MPT X 1" CTS (1 1/8" OD) PE	.090	30"	16"	1353-91-4608-0A	9953-99-0525-00
1" MPT X 1" CTS (1 1/8" OD) PE	.099/.101	30"	16"	1453-91-4608-00†‡	1453-91-4608-25†‡
1" MPT X 1" IPS PE	SDR-11 (.119)	30"	16"	1453-91-4614-00†‡	1453-91-4614-25†‡
1 1/4" MPT X 1 1/4" IPS PE	SDR-10 (.166)	30"	22"	1553-91-4615-00†‡	1553-91-4615-25†
1 1/4" MPT X 1 1/4" IPS PE	SDR-11 (.151)	30"	22"	1553-91-4615-0A†‡	9953-99-0503-25†
1 1/2" MPT X 1 1/2" IPS PE	SDR-11 (.173)	36"	26"	1652-91-4616-00†‡	1652-91-4616-25‡
2" MPT X 2" IPS PE	SDR-11 (.216)	36"	30"	1752-91-4617-00†‡	1752-91-4617-25†

For sizes not listed, contact Continental Industries.

Pressure rating—Designed to meet or exceed pressure rating of PE pipe per 49 CFR Part 192 and ASTM D2513.

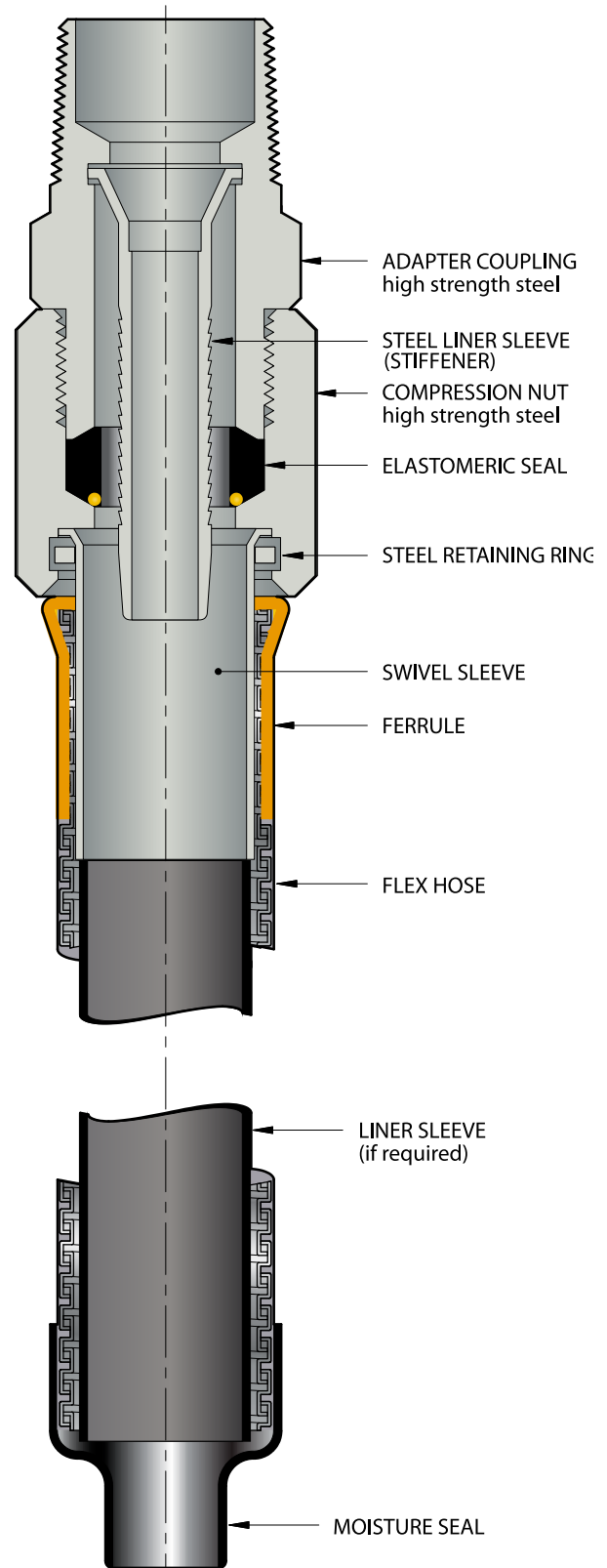
Recommended accessories for Anodeless Meter Risers with Con-Stab ID Seal® Couplings; Continental's Bladed Chamfering Tool. See page 32 for size combinations available.

Part numbers listed are for 2406/2708 medium density polyethylene pipe. For part numbers with 3408/4710 high density pipe, contact Continental Industries.

† = CSA Approved / ‡ = IAPMO/UPC Listed

CONFLEX RISERS

- ConFlex Risers are designed to meet or exceed pressure rating of PE pipe per 49 CFR Part 192 and ASTM D2513.
- ConFlex Risers conform to trench depth and flex with ground movement.
- ConFlex Risers may be installed with or without meter set present.
- ConFlex Risers have a swivel feature to allow tightening the Service Head Adapter without turning the flex hose.
- Service Head Adapter design has been used in the natural gas industry since 1967.
 - The Service Head Adapter offers a simple and dependable installation method.
 - The stiffener is integral to the adapter coupling. It does not fall out. No loose components.
 - The Service Head Adapter design is listed by IAPMO and CSA.
 - Service Head Adapter meets the requirements of ASTM F 1948 and ASTM D 2513.
- ConFlex Risers meet the requirements of;
 - ASTM D 2513
 - D.O.T. Title 49 of the Code of Federal Regulations, Part 192.283 (b) and 192.375.
- NFPA 54 & NFPA 58
 - ConFlex Risers have a moisture seal as required in NFPA 54 & NFPA 58.
 - The Flex Hose meets 300 lb tensile requirement and 1000 lb crush requirement stated in NFPA 58.
 - The Flex Hose to Service Head Adapter joint meets 300 lb tensile requirement stated in NFPA 58.
 - Liner Sleeve provided to meet requirements of NFPA 58.
 - IAPMO and CSA Listed.





CONFLEX RISERS



SIZE (MPT X PE)	WALL	LENGTH	PART NUMBER w/ Liner Sleeve	PART NUMBER w/o Liner Sleeve
1/2" MPT X 1/2" CTS (5/8" OD) PE	.090	36"	1253-92-1004- $\Delta\Delta$ †‡	1253-96-1004- $\Delta\Delta$ †
1/2" MPT X 1/2" IPS PE	SDR-9.3 (.090)	36"	1253-92-1012- $\Delta\Delta$ †‡	1253-96-1012- $\Delta\Delta$
3/4" MPT X 1/2" CTS (5/8" OD) PE	.090	36"	1353-92-1004- $\Delta\Delta$ †‡	1353-96-1004- $\Delta\Delta$ †
3/4" MPT X 1/2" IPS PE	SDR-9.3 (.090)	36"	1353-92-1012- $\Delta\Delta$ †‡	1353-96-1012- $\Delta\Delta$
3/4" MPT X 3/4" CTS (7/8" OD) PE	.090	36"	1353-92-1006- $\Delta\Delta$	1353-96-1006- $\Delta\Delta$
3/4" MPT X 3/4" IPS PE	SDR-11 (.095)	36"	1353-92-1013- $\Delta\Delta$ †‡	1353-96-1013- $\Delta\Delta$ †
3/4" MPT X 1" CTS (1 1/8" OD) PE	.099/.101	36"	1353-92-1008- $\Delta\Delta$ †‡	1353-96-1008- $\Delta\Delta$ †
1" MPT X 1/2" CTS (5/8" OD) PE	.090	36"	1453-92-1004- $\Delta\Delta$ †‡	1453-96-1004- $\Delta\Delta$ †
1" MPT X 1/2" IPS PE	SDR-9.3 (.090)	36"	1453-92-1012- $\Delta\Delta$ †‡	1453-96-1012- $\Delta\Delta$
1" MPT X 3/4" CTS (7/8" OD) PE	.090	36"	1453-92-1006- $\Delta\Delta$	1453-96-1006- $\Delta\Delta$
1" MPT X 3/4" IPS PE	SDR-11 (.095)	36"	1453-92-1013- $\Delta\Delta$ †‡	1453-96-1013- $\Delta\Delta$ †
1" MPT X 1" CTS (1 1/8" OD) PE	.099/.101	36"	1453-92-1008- $\Delta\Delta$ †‡	1453-96-1008- $\Delta\Delta$ †
1 1/4" MPT X 1" CTS (1 1/8" OD) PE	.099/.101	36"	1553-92-1008- $\Delta\Delta$ †‡	1553-96-1008- $\Delta\Delta$ †
1" MPT X 1" IPS PE	SDR-11 (.119)	36"	1453-92-1014- $\Delta\Delta$ †‡	1453-96-1014- $\Delta\Delta$
1 1/4" MPT X 1 1/4" IPS PE	SDR-10 (.166)	36"	N/A	1553-96-1015-36†‡
	SDR-11 (.151)	36"	N/A	9953-99-0445-00
1 1/2" MPT X 1 1/2" IPS PE	SDR-11 (.173)	36"	N/A	1653-96-1016-36
2" MPT X 2" IPS PE	SDR-11 (.216)	36"	N/A	1753-96-1017-36

For sizes not listed, contact Continental Industries.
 Replace with either: 36, 60, 72, 84 or 96 for length of flex.
 † = CSA Approved / ‡ = IAPMO/UPC Listed



RISER BRACKETS



17-6133-00
6" Stand-Off

- (2) 3/8" wide x 2" long angular mounting slots
- Accommodates 1/2" thru 1 1/4" flex risers
- Powder coated finish
- Mounting hardware included



17-6134-00
9" Stand-Off

- (2) 3/8" wide x 2" long angular mounting slots
- Accommodates 1/2" thru 1 1/4" flex risers
- Powder coated finish
- Mounting hardware included



17-6134-01
9" Stand-Off

- Accommodates 1/2" thru 1 1/4" flex risers
- Powder coated finish
- Mounting hardware included



17-6135-00
Universal Riser Bracket

- Can be used for virtually any mounting situation
- Foundation, single or double remote installations
- Accommodates 1/2" thru 2" risers
- Carriage bolts supplied for ease of assembly
- Powder coated finish
- Foundation mounting hardware included
- (2) 3/8 wide x 1-5/8 straight mounting slots (Drivepost shown sold separately)





ACCESSORIES For PA Eliminators, HVT's & By-Pass Tees

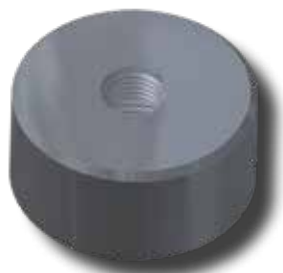


33-5505-00 ~ Combination Tapping Tool & Saddle Bolt "T" Wrench for 1" thru 6" IPS Con-Stab ID Seal® Eliminators

33-5505-01 ~ Combination Tapping Tool & Saddle Bolt "T" Wrench for 3" thru 8" IPS Con-Stab ID Seal® Eliminators



33-4363-00 ~ 1/2" Square Drive Key, Bushing & Socket Adapter Assembly for HVT Eliminator Saddles



33-5508-00 ~ Test Plug Cap for Eliminator Saddles

33-6290-00 ~ Test Plug Cap for HVT Saddles





ID CHAMFERING TOOLS

To Be Used With Con-Stab ID Seal® Fittings

CATALOG NO.	DESCRIPTION
ID CHAMFER TOOLS WITH GAUGE	
0000-33-6580-04	1/2" CTS (5/8" OD) .090 WALL
0000-33-6580-02	1" CTS (1 1/8" OD) .090 WALL
0000-33-6580-06	3/4" CTS (7/8" OD) .090 WALL
0000-33-6580-08	1" CTS (1 1/8" OD) .099/.101 WALL
0000-33-6580-12	1/2" IPS SDR-9.3
0000-33-6580-13	3/4" IPS SDR-11
0000-33-6580-14	1" IPS SDR-11
0000-33-6580-03	1 1/4" CTS (1 3/8" OD) .090 WALL
0000-33-6580-10	1 1/4" IPS SDR-11 (.151 WALL)
0000-33-6580-15	1 1/4" IPS SDR-10 (.166 WALL)
0000-33-6580-09	1 1/4" IPS SDR-9.3 (.178 WALL)
0000-33-6580-16	1 1/2" IPS SDR-11
0000-33-6580-17	2" IPS SDR-11

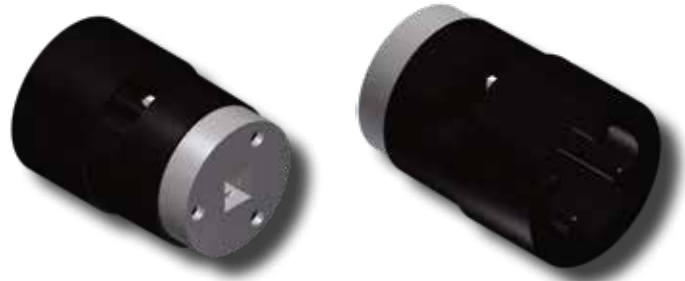


ID CHAMFERING TOOLS

With 1/2" Square Drive Socket

To Be Used With Continental Stab Fittings

CATALOG NO.	DESCRIPTION
ID CHAMFER TOOLS WITH 1/2" SQUARE DRIVE SOCKET	
0000-33-7438-04	1/2" CTS (5/8" OD)
0000-33-7438-06	3/4" CTS (7/8" OD)
0000-33-7438-08	1" CTS (1 1/8" OD)
0000-33-7438-39	1 1/4" CTS (1 3/8" OD)
0000-33-7438-12	1/2" IPS
0000-33-7438-13	3/4" IPS
0000-33-7438-14	1" IPS



Cordless Driver and Adapter

To Be Used With 1/2" Square Drive Socket

ID Chamfering Tools



Cordless Driver ~ Comes complete with
(2) batteries, charger and carrying case
For use with ID Seal® Chamfer Tools
Catalog # 33-7436-00



Socket Adapter
1/4" Hex x 1/2" Square
Catalog # 33-7435-00



ACCESSORIES



Scissor Style Pipe Cutters
1 1/4" OD and smaller pipe
Catalog # 33-7431-00



Ratcheting Style Pipe Cutters
2" IPS and smaller pipe
Catalog # 33-7433-00



Ratcheting Style Pipe Cutters
1 1/4" OD and smaller pipe
Catalog # 33-7432-00



Cordless Shear Style Pipe Cutters
2" IPS and smaller pipe
Comes complete with charger and carrying case
Catalog #33-7434-00



Needle Nose Pliers
Used to remove PE chips from ID Seal®
Chamfer Tools
Catalog # 33-7437-00



Metallic Permanent Marker
Silver Fine Point
For marking stab depth. silver color shows on both yellow and black PE pipe.
Catalog # 33-7430-00



Dow Corning 111 Valve Lube
Used to lubricate PE Pipe before insertion into ID Seal® Con-Stab Fittings
Catalog # 34-7287-00



Cleaning Wipes
Used to clean PE pipe before making connection per installation instructions
Catalog #33-7429-00 ~ Cannister, 100 wipes
Catalog #33-7429-01 ~ Box, 60 individual packets

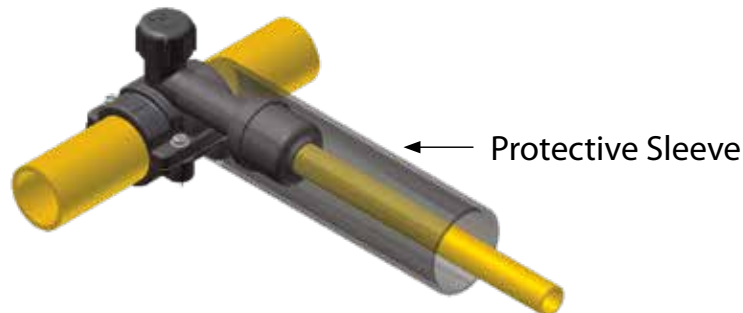


PE PROTECTIVE SLEEVES



CATALOG NUMBER	DIAMETER		LENGTH	FOR USE WITH CONTINENTAL PRODUCTS		
	INTERNAL	OUTSIDE		STEEL FITTINGS	PA FITTINGS	STAB FITTINGS
44-2585-00	1.370/1.395	1.612	12"			
44-2586-00	1.875/1.915	2.190	12"		3/8" OD & 5/8" OD P.E. Compression O/L's	
44-2587-00	2.375/2.425	2.760	12"	3/8" OD, 5/8" OD P.E. Compression O/L's	1 1/8" OD P.E. Compression O/L's	
44-2588-00	2.375/2.425	2.760	21"	5/8" OD, 1/2" IPS & 3/4" IPS P.E. Transition O/L's		
44-2589-00	2.875	3.270	24"	7/8" OD, 1/2" IPS P.E. Compression O/L's	3/4" IPS & 1" IPS P.E. Compression O/L's	5/8" OD, 7/8" OD, 1 1/8" OD, 1/2" IPS, 3/4" IPS & 1" IPS O/L's
				1 1/8" OD, 1" IPS P.E. Transition O/L's		
44-5753-00	4.250 MIN.	4.760	24"	1 1/8" OD, 3/4" IPS, 1" IPS, 1 1/4" IPS & 1 1/2" IPS P.E. Compression O/L's	1 1/4" IPS P.E. Compression O/L's	1 1/4" IPS & 1 1/2" IPS O/L's
				1 1/4" IPS P.E. Transition O/L's		
44-5754-00	5.200 MIN.	5.820	36"		2" IPS P.E. Compression O/L's	2" IPS O/L's

NOTE: It is advisable to limit shear at main connections. In this regard, your company's policies should be followed. For further information, reference; ASTM D 2774 Standard Practice for Underground Installation of Thermoplastic Pressure Piping; Code of Federal Regulations, Title 49, Transportation Part 192; AGA Plastic Pipe Manual and/or The Guidance Manual for Operators of Small Gas Systems by the U.S. Department of Transportation.





ASSEMBLY INSTRUCTIONS : ID SEAL® CON-STAB

IMPORTANT

For use on: Polyethylene gas pipe meeting the requirements of ASTM D 2513
Pressure Rating: Designed to meet or exceed pressure rating of PE pipe per 49 CFR Part 192 and ASTM D 2513
Operating Temperature: -20 to 140° F

1 Verify the stab fitting is the correct size for the polyethylene (P.E.) pipe. Verify the SDR (or wall thickness) of the pipe matches the SDR (or wall thickness) printed on the fitting label.



2 Cut pipe ends square.



3 Clean piping thoroughly to assure there is no dirt, grease or oil in assembly area.



4a Chamfer end of pipe using [Continental's ID chamfering tool with ID gauge](#).

or



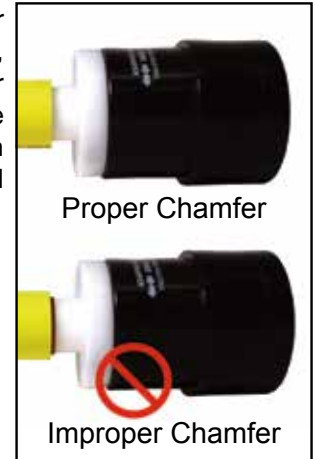
4b Chamfer end of pipe using [Continental's double ended ID chamfering tool](#).



5 Mark the stab depth by inserting pipe into ID chamfer tool and marking the pipe at the entrance as shown.



6 If using ID chamfer tool with gauge, check for proper chamfer by inserting pipe on gauge up to the o ring. With proper chamfer, o ring will begin to enter pipe.



7 Stab pipe completely into fitting entrance.



8 Stab pipe completely into fitting so that the mark on the pipe is within 1/8" from the fitting entrance.



9 Repeat steps 1 thru 8 for all Con-Stab joints.

10 To assure proper assembly and to comply with 49 CFR 192 Subpart J—Test Requirements, the joint shall be leak tested.

IMPORTANT
 CHAMFER THE
 ID OF PIPE





Gas Connectors & Accessories

Continental Industries

Superior Quality

Superior Service

Superior Selection



1140 North 129th East Ave. Tulsa OK 74116

Phone: 918-627-5210

Fax: 918-6221275

www.conind.com



www.hubbell.com

0000-99-1008-00 ECN 2707 REV "X" 11/2019